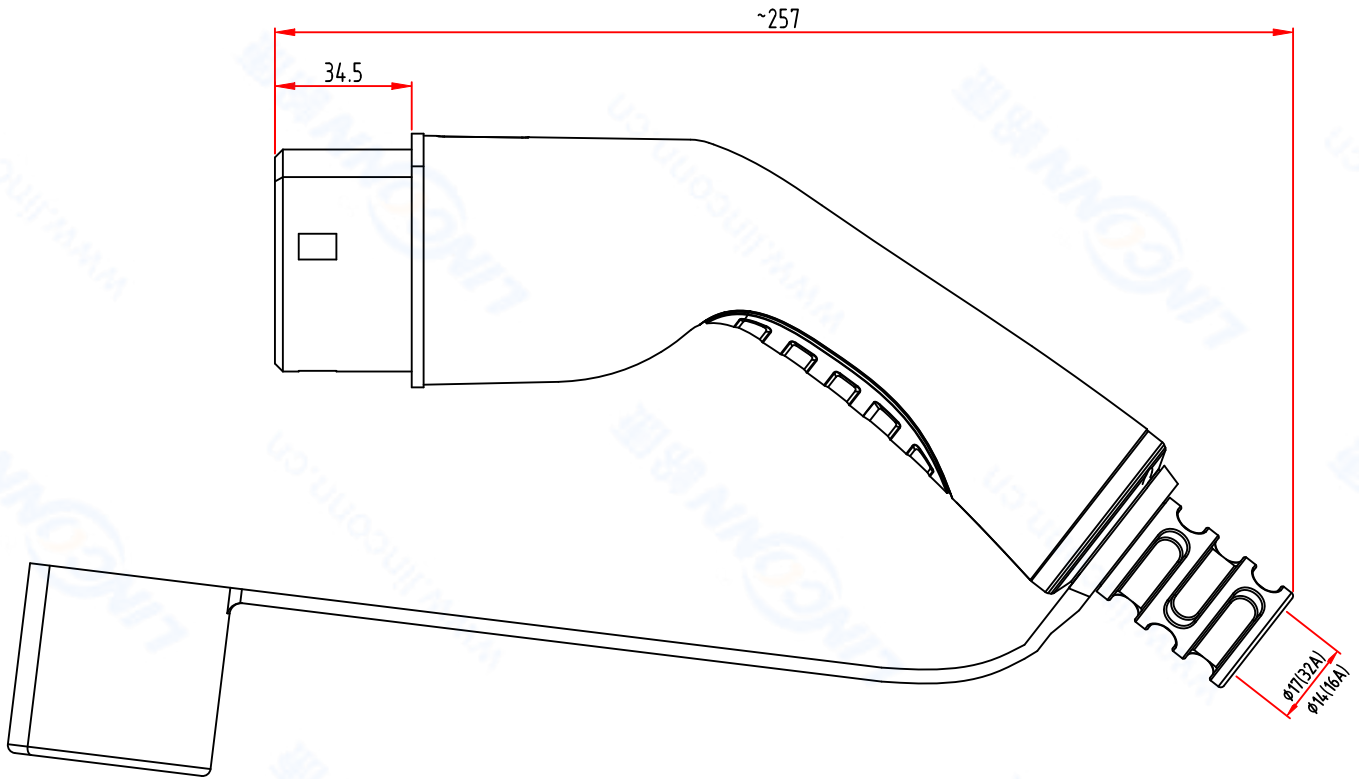
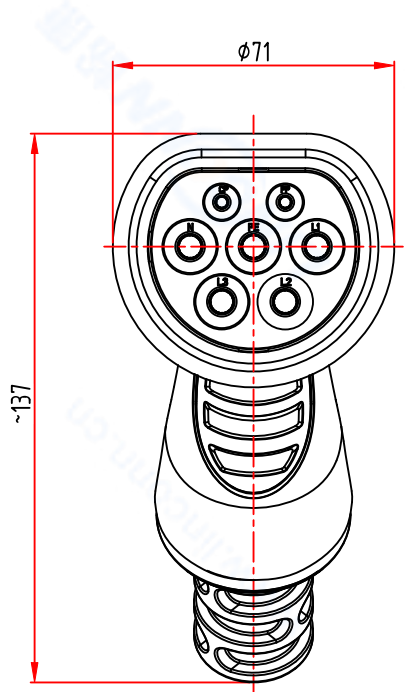


A B C D E F G H I J

ECN	REV	DESCRIPTION	DATE	APPROVED



技术特性/Technical Characteristics

1. 插头耐久性/Connector Durability: 空载插拔/No-load Plug / Unplug > 5000 cycles
2. 额定电流/Rated Current: 16A / 32A 1-phase 3-phase
3. 额定电压/Rated Voltage: 250V / 480V AC
4. 插入力/Insertion Force: $F < 100N$
5. 阻燃等级/Flame Retardant Grade: UL94V-0
6. 防护等级/Protection Grade: IP55
7. 环境温度/Ambient Temperature: $-40^{\circ}C \sim 50^{\circ}C$
8. 终端温升/Terminal Temperature Rise: $< 50K$
9. 规范/Standards: IEC-62196-2

P/N	Pin size ϕA
H228002-16A	4.3
H228002-32A	6.0

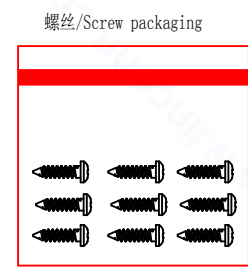
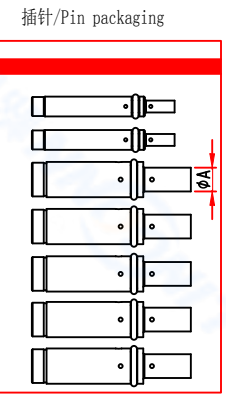
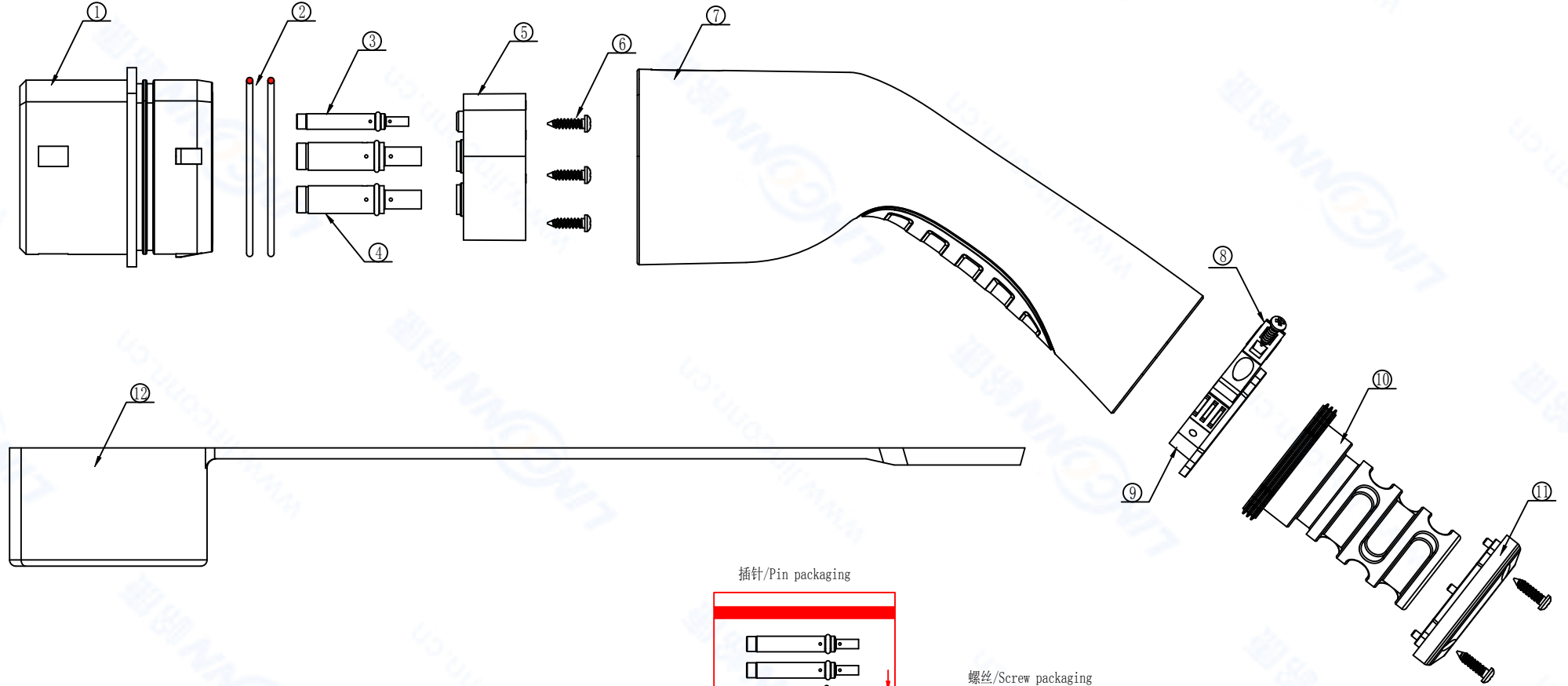
	SCALE	TOLERANCES ARE:	
	F	DECIMALES	ANGLES
SHEET	DIMENSION	$x \pm 1.0$ $.x + 0.5$	
1 OF 2	MM	APPROVALS	DATE
DWG NO.	REV.	APPROVED:	
H228002	A0	CHECKED:	
		CHECKED:	
		DRAWN: pengsen	10/23/2023

TITLE: Female Charging Plug (EN)	
PART NO.	REV.
	*

LINCONN Linconn Elc Tech Co.,LTD

A B C D E F G H I J

ECN	REV	DESCRIPTION	DATE	APPROVED



12	防护盖/Dust cover: Silicone	1PCS
11	后盖/Rear cover: Nylon	1PCS
10	护套/Bend relief: Silicone	1PCS
9	线夹/Cable collet: Nylon	1PCS
8	线夹/Cable collet: Nylon	1PCS
7	壳体/Shell: PC	1PCS
6	自攻螺丝/self-tapping screw	9PCS
5	绝缘体/Insulator: Nylon	1PCS
4	母针芯/Female pin(6.0): 铜合金镀银/Brass Silver plating	5PCS
3	母针芯/Female pin(3.0): 铜合金镀银/Brass Silver plating	2PCS
2	密封圈/O-RING: Silicone	2PCS
1	插头壳体/Shell: Nylon	1PCS
序号/Item	名称 & 规格/Name & Description	用量/QTY

SHEET	DIMENSION	APPROVALS	DATE
2 OF 2	MM	APPROVED:	
DWG NO.	REV.	CHECKED:	
H228002	A0	CHECKED:	
SCALE		TOLERANCES ARE:	
F		DECIMALES	ANGLES
		$X \pm 1.0$	$^{\circ} \pm$
		$.X + 0.5$	
		DRAWN: pengsen	10/23/2023

P/N	Pin size ϕA
H228002-16A	4.3
H228002-32A	6.0

TITLE: Female Charging Plug (EN)	
PART NO.	REV.
	*
LINCONN Linconn Elc Tech Co.,LTD	