

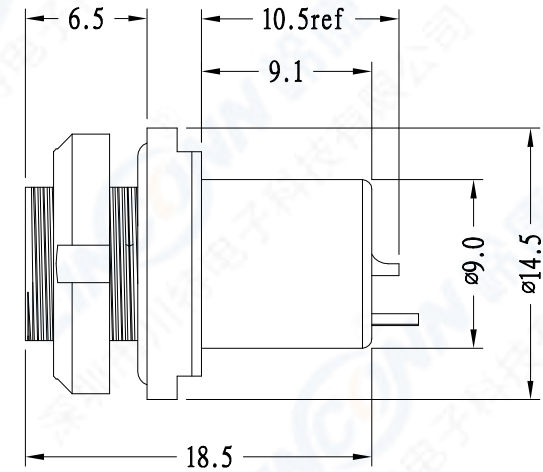
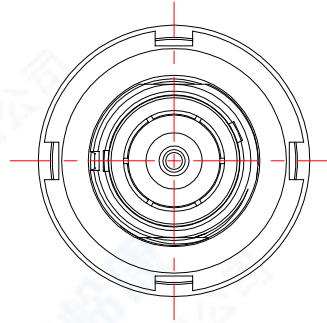
1) 0F series connectors provide the following main features:

- solder or print contacts (straight or elbow)
- polarisation by stepped insert(half-moon)
- 360° screening for full EMC shielding.
- coax impedance: 50 ohms
- Ingress protection: IP66/IP67
- Environment: outdoor

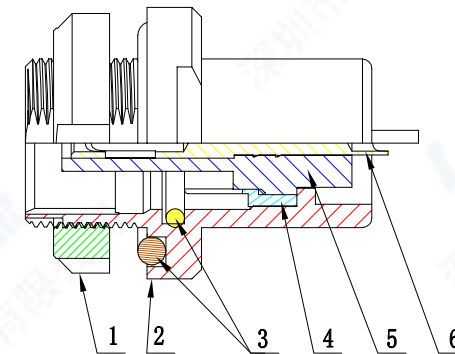
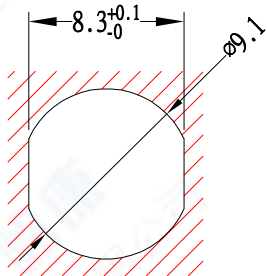
## 2) 編碼原則/Part Number

固定式插座/Fixed socket    G8 0F 150 C T L

主型號/Key System(I)	G8	0F	150	C	T	L	焊接式/Sold Type
同軸阻抗/coax impedance							絕緣體/Insulator
							外殼/Outer Shell



## 3) 面板開孔尺寸/Hole Size



6 母針芯/Pin: 磷銅鍍金/Phosphor copper, Gold plated

5 絕緣體/Insulator: PTFE

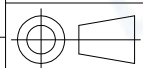
4 接地環/Earthing crown: 黃銅鍍鎳/Brass, Nickel plated

3 密封圈/O-RING: 橡膠/Rubber

2 外殼/Outer shell: 黃銅鍍鉻/Brass, Chrome plated

1 開槽螺母/Notched nut: 黃銅鍍鉻/Brass, Chrome plated

序號/ITEM      名稱 & 規格/Name & Description



SCALE

F

SHEET

DIMENSION

1 OF 1

MM

DWG NO.

G80F

REV.

A0

TOLERANCES ARE:

DECIMALES  
x±  
-x±

ANGLES  
±

APPROVALS

APPROVED:

CHECKED:

DRAWN: pengsen

DATE

24/03/2014

TITLE:

固定式插座/Fixed socket

PART NO.

G8 0F 150 CTL

REV.

\*

**LINCONN** Linconn Elec Tech Co.,LTD