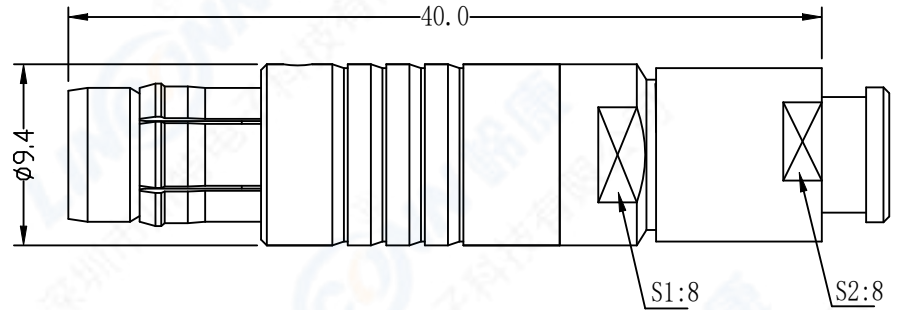
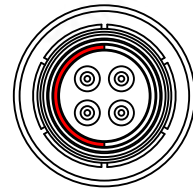


ECN	REV	DESCRIPTION	DATE	APPROVED

1) 0F系列推拉自鎖連接器簡介

0F series connectors provide the following main features:

- security of the Push-Pull self-latching system?multipole types 2 to 9 contacts
- solder or print contacts (straight or elbow)
- polarisation by stepped insert(half-moon)
- 360° screening for full EMC shielding.



2) 技术特性/Technical Characteristics

使用环境/Environment: 室外/outdoor

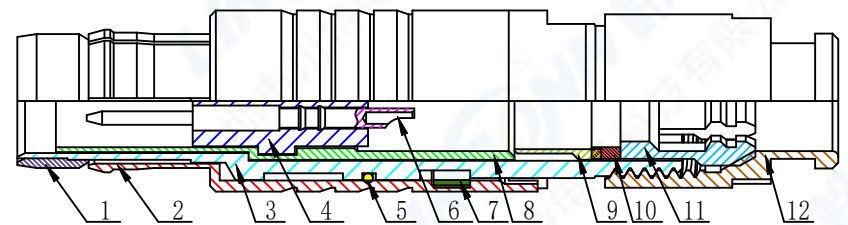
温度等级/Rated Temperature: -25°, +150°

寿命/Durability: >500 mate/unmate cycles

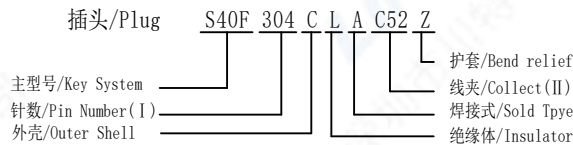
盐雾/Corrosion Resistance: Salt spray test>144h

防水等级/Protection index: IP67/IP66

Note: IP67 achieved providing that the cable is perfectly circular and that assembly process ensures a high integrity seal.



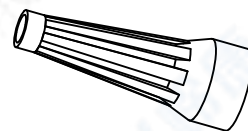
3) 編碼原則/Part Number



4) 编码说明/Part number example

针数/Pin Number (I)

系列/Series	302	303	304	305	306	307	309
孔位排列/Pin Number							
接觸體直徑/Pin size	0.9mm	0.9mm	0.7mm	0.7mm	0.5mm	0.5mm	0.5mm
適配線纜/Conductor size	20AWG	20AWG	22AWG	22AWG	28AWG	28AWG	28AWG
額定電流/Rated current	10A	8A	7A	6.5A	2.5A	2.5A	2A



护套/Bend relief
SCALE 1:2

12	尾螺帽/Collect Nut: 黃銅鍍鉻/Brass, Chrome plated
11	線夾/Collect: 黃銅鍍鎳/Brass, Nickel plated
10	彈性墊圈/Gasket: 矽膠/Silicone rubber
9	接地錐/Earthing cone: 黃銅鍍鎳/Brass, Nickel plated
8	固定片/Centre-piece: 黃銅鍍鎳/Brass, Nickel plated
7	固定環/Retaining ring: 黃銅鍍鎳/Brass, Nickel plated
6	公針芯/Pin: 黃銅鍍金/Brass, Gold plated
5	O形圈/O-RING: 橡膠/Rubber
4	絕緣體/Insulator: PPS
3	內殼/Inner Shell: 黃銅鍍鎳/Brass, Nickel plated
2	外殼/Outer Shell: 黃銅鍍鉻/Brass, Chrome plated
1	固定環/Retaining ring: 黃銅鍍鎳/Brass, Nickel plated
序號 ITEM	名稱 & 規格/Name & Description

線夾/Collect(III)

線夾代號/code	35	42	52
線徑/Cable OD	2.5-3.4	3.5-4.0	4.1-5.0
線夾/Collect Size	3.5mm	4.2mm	5.2mm

	SCALE	TOLERANCES ARE:	
	F	DECIMALES x±	ANGLES ±
SHEET	DIMENSION	APPROVALS	DATE
1 OF 1	MM	APPROVED:	
DWG NO.	REV.	CHECKED:	
S40F	A0	CHECKED:	
		DRAWN: pengsen	24/03/2014

TITLE:	插头/Plug
PART NO.	S40F 304 CLACZ
REV.	*

