

ECN	REV	DESCRIPTION	DATE	APPROVED

1) 00S系列推拉自鎖連接器簡介

00S series connectors provide the following main features:

- security of the Push-Pull self-latching system
- solder or print contacts (straight or elbow)
- 360° screening for full EMC shielding.
- coax impedance: 50 ohms
- cable type: RG 316 /U

2) 技術特性/Technical Characteristics

使用環境/Environment: 室內/Indoor

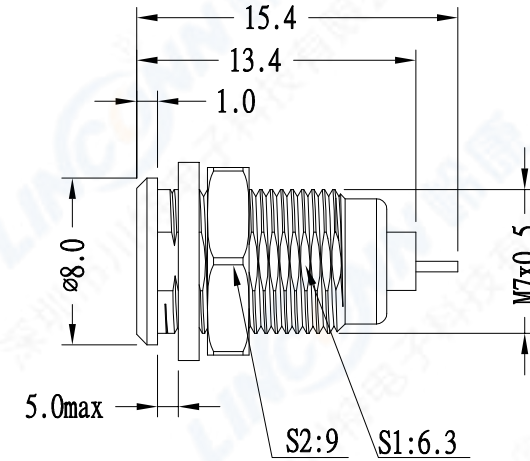
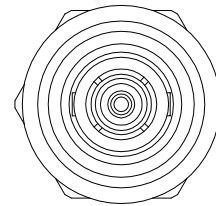
接口密封/Ingress protection: IP50

溫度等級/Rated Temperature: -25°, +150°

額定電流/Rated current: 4A

壽命/Max. Matings: 500

鹽霧/Corrosion Resistance: Salt spray test > 144h



3) 編碼原則/Part Number

固定式插座/Fixed socket ZRA 00 250 C T L

主型號/Key System

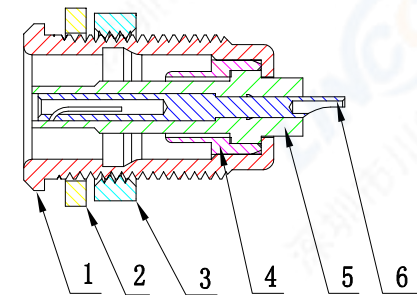
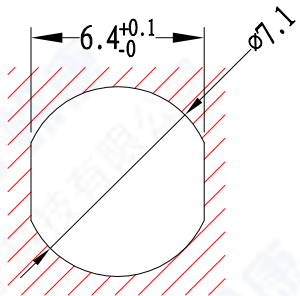
同軸阻抗/coax impedance

焊接式/Sold Type

絕緣體/PTFE Insulator

外殼/Outer Shell

4) 面板開孔尺寸/Hole Size



6	母針芯/Pin: 磷銅鍍金/Phosphor copper, Gold plated
5	絕緣體/Insulator: PTFE
4	接地環/Earthing crown: 黃銅鍍鎳/Brass, Nickel plated
3	六角螺母/Hexagonal nut: 黃銅鍍鎳/Brass, Nickel plated
2	墊圈/Locking washer: SUS 301
1	外殼/Outer Shell: 黃銅鍍鎳/Brass, Chrome plated
序號 ITEM	名稱 & 規格/Name & DESCRIPTION

SCALE		TOLERANCES ARE:	
F <td>DECIMALES</td> <td>ANGLES</td>		DECIMALES	ANGLES
SHEET		$\begin{matrix} x \pm \\ -x \pm \end{matrix}$	\pm
1 OF 1		APPROVALS	DATE
MM		APPROVED:	
DWG NO.	REV.	CHECKED:	
ZRA00	A0	CHECKED:	
		DRAWN:	pengsen 26/02/2020

TITLE: 固定式插座/Fixed socket	
PART NO. ZRA 00 250 CTL	REV. *
LINCONN L inconn E lc Tech C o., L TD	