

ECN	REV	DESCRIPTION	DATE	APPROVED

1) OS series connectors provide the following main features:

- security of the Push-Pull self-latching system
- solder or print contacts (straight or elbow)
- polarisation by stepped insert (half-moon) fitted with male and female contacts
- 360° screening for full EMC shielding.

2) Specifications

Contact Type: Coaxial 50 Ohm (Solder)
 Contact Dia.: 0.9 mm
 Rated Current: 6 Amps
 Max. Matings: 500
 Temp (min / max): -25° C / +150° C
 Salt Spray Corrosion: >144 hr
 IP Rating: 50

Cable type: RG 178 B/U, RG 196 A/U, RG 188 A/U, RG 316 B/U, RG 174 A/U, HF-2114, RG 122 /U

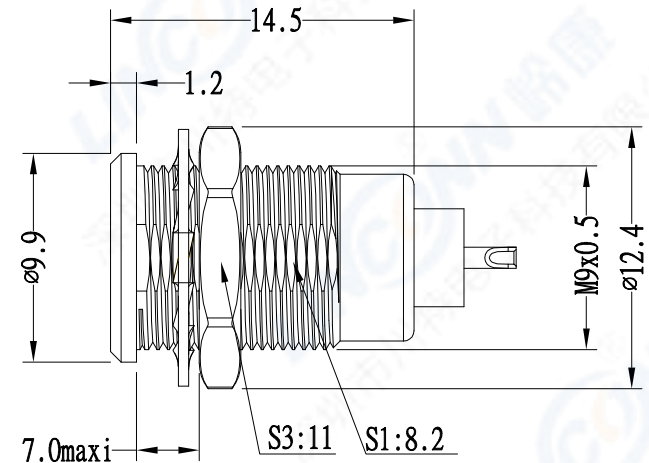
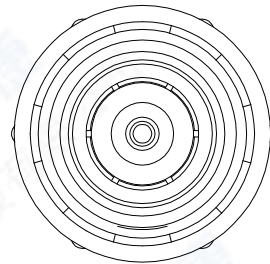
3) 編碼原則/Part Number

固定式插座/Fixed socket **ZRA OS 250 C T L**

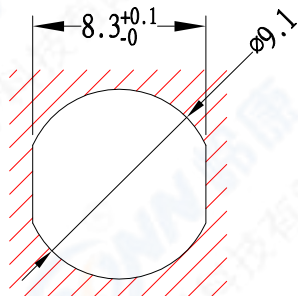
主型號/Key System

針數/Pin Number (I)

焊接式/Sold Type
 绝缘体/Insulator
 外壳/Outer Shell



4) 面板開孔尺寸/Hole Size



6	母针芯/Pin: 磷铜镀金/Phosphor copper, Gold plated
5	接地环/Earthing crown: 黄铜镀镍/Brass, Gold plated
4	绝缘体/Insulator: PTFE
3	六角螺母/Hexagonal nut: 黄铜镀镍/Brass, Nickel plated
2	垫圈/Locking washer: SUS 301
1	外壳/Outer Shell: 黄铜镀铬/Brass, Chrome plated
序号 ITEM	名称 & 规格/Name & DESCRIPTION

SCALE		TOLERANCES ARE:	
F		DECIMALES	ANGLES
SHEET	DIMENSION	$\begin{matrix} x \pm \\ \cdot \\ x \pm \end{matrix}$	$\begin{matrix} \pm \\ \cdot \\ \pm \end{matrix}$
1 OF 1	MM	APPROVALS	DATE
DWG NO.	REV.	APPROVED:	CHECKED:
ZRAOS	A0	CHECKED:	DRAWN: pengsen
			24/03/2014

TITLE: 固定式插座/Fixed socket
 PART NO. ZRA OS 250 CTL
 REV. *
LINCONN Linconn Elec Tech Co., LTD