

ECN	REV	DESCRIPTION	DATE	APPROVED

1) OS系列推拉自鎖連接器簡介

OS series connectors provide the following main features:

- security of the Push-Pull self-latching system
- unipole types transmitting current up to 25A and multipole types 2 to 4 contacts
- solder or print contacts (straight or elbow)
- polarisation by stepped insert(half-moon) fitted with male and female contacts
- 360° screening for full EMC shielding.

2) 技术特性/Technical Characteristics

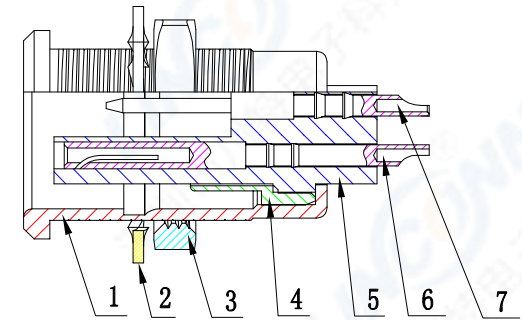
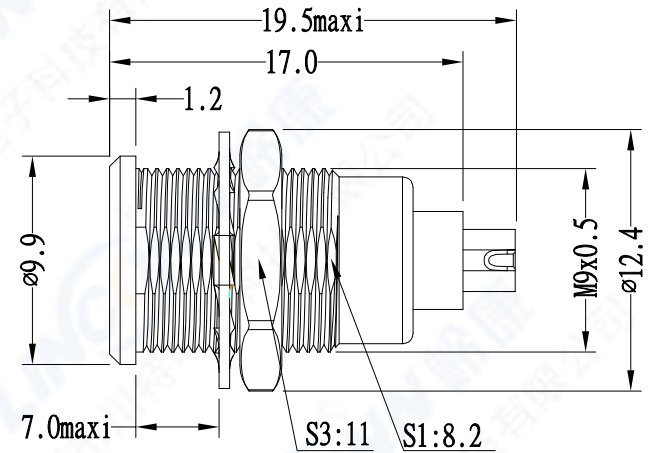
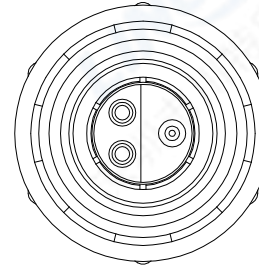
使用环境/Environment: 室内/Indoor

接口密封/Ingress protection: IP50

温度等级/Rated Temperature: -25°, +150°

寿命/Durability: >500 mate/unmate cycles

盐雾/Corrosion Resistance: Salt spray test>144h



3) 編碼原則/Part Number

固定式插座/Fixed socket ZRA OS 304 C L L

主型號/Key System

針數/Pin Number(I)

焊接式/Sold Type

絕緣體/Insulator

外殼/Outer Shell

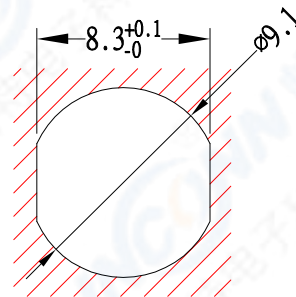
4) 編碼說明/Part number example

針數/Pin Number(I)

系列/Series	250	302	303	304
孔位排列/Pin Number				
接觸體直徑/Pin size	0.9mm	0.9mm	0.7mm	0.7mm
適配線纜/Conductor size	22AWG	22AWG	24AWG	24AWG
額定電流/Rated current	/	10A	7A	7A

*同軸阻抗/coax impedance: 50 ohms

5) 面板開孔尺寸/Hole Size



7	公針芯/Pin: 黃銅鍍金/Brass, Gold plated
6	母針芯/Pin: 磷銅鍍金/Phosphor copper, Gold plated
5	絕緣體/Insulator: PPS
4	接地環/Earthing crown: 黃銅鍍鎳/Brass, Nickel plated
3	六角螺母/Hexagonal nut: 黃銅鍍鎳/Brass, Nickel plated
2	墊圈/Locking washer: SUS 301
1	外殼/Outer Shell: 黃銅鍍鎳/Brass, Chrome plated
序號 ITEM	名稱 & 規格/Name & DESCRIPTION

SCALE		TOLERANCES ARE:	
F		DECIMALES	ANGLES
SHEET	DIMENSION	x±	±
1 OF 1	MM	.x±	
DWG NO.	REV.	CHECKED:	DATE
ZRAOS	A0	CHECKED:	
		DRAWN: pengsen	24/03/2014

TITLE: 固定式插座/Fixed socket

PART NO. ZRA OS 303 CLL

REV. *

LINCONN Linconn Elec Tech Co., LTD