

ECN	REV	DESCRIPTION	DATE	APPROVED

1. 芯数/NO. of contacts

系列/Series	304	305	308
Pin 排列/Pin Assignment PCB 孔位/PCB Layout (Front View)			
导体直径/Pin size	1.0mm	1.0mm	0.8mm
额定电压/Rated voltage	250V	60V	30V
额定电流/Rated current	4A	4A	2A

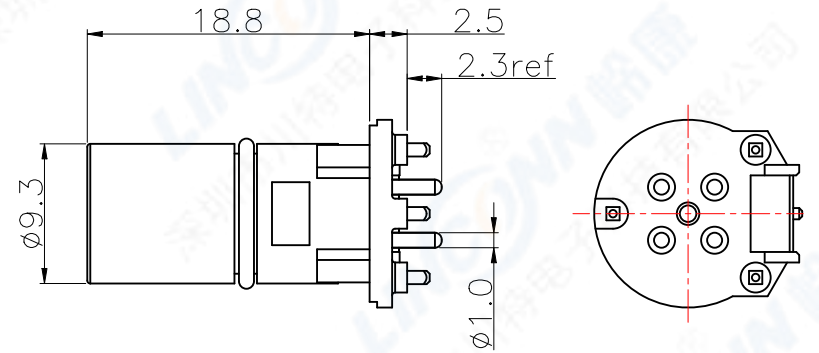
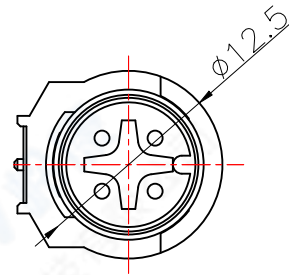
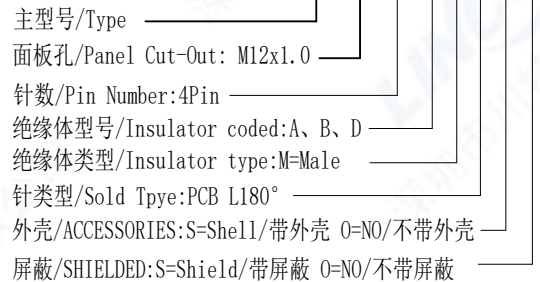
2. 绝缘体型号/Insulator Coded

Coded	A	D
型号		

“▼” Insulator key

3. 编码原则/Part Number

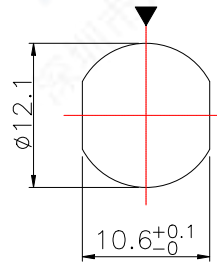
固定式插座/Fixed socket M12HE 9 304 A M D 0 0



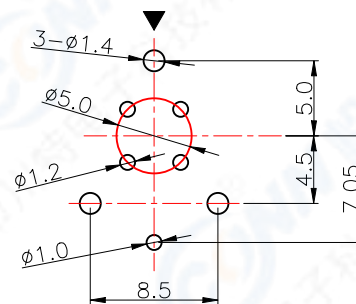
4. 技术特性/Technical Characteristics

- 寿命/Durability: >100 mate/unmate cycles
- Pin接触电阻/ Pin Contact Resistance: ≤10 mΩ
- 绝缘电阻/Insulation Resistance: ≥ 100 MΩ
- 温度等级/Rated Temperature: -25° C, +85° C
- 盐雾/Corrosion Resistance: Salt spray test, >48h
- 防水等级/Waterproof: IP67

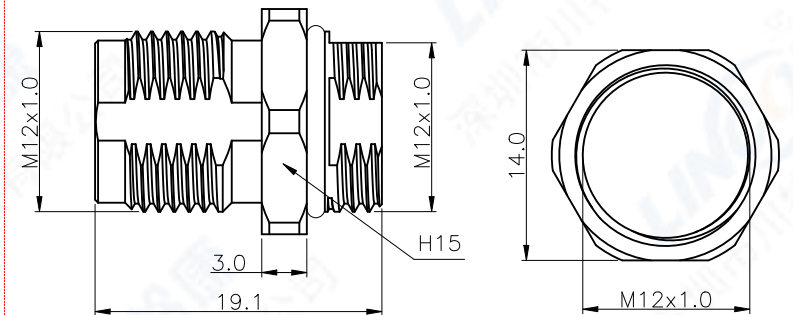
面板开孔
RECOMMENDED PANEL CUT-OUT



PCB 开孔尺寸/PCB LAYOUT



ACCESSORIES Panel mounting base (optional)



5	六角螺母/Hexagonal nut: 黄铜镀镍/Brass, Nickel plated
4	外壳/Outer Shell: 黄铜镀镍/Brass, Nickel plated
3	针芯/PIN: 铜合金镀金/Copper, gold plating 5U'
2	密封圈/O-RING: Rubber
1	绝缘体/Insulator: PA BLACK

	SCALE	TOLERANCES ARE:	TITLES
	F	DECIMALES	
SHEET	DIMENSION	X ± 1	PART NO.
1 OF 1	MM	X ± 0.5	
DWG NO.	REV.	APPROVALS	DATE
		APPROVED:	
		CHECKED:	
		CHECKED:	
		DRAWN:	pengsen 08/25/2022

TITLES	M12 male socket
PART NO.	M12HE93xxxMD00
REV.	*
Linconn Elc Tech Co.,LTD	

序号ITEM	名称 & 规格/Name & Description