

ECN	REV	DESCRIPTION	DATE	APPROVED

编码原则/Part Number

固定式插座/Fixed socket M12H 9 308 X F N S S

主型号/Type \_\_\_\_\_

面板孔/Panel Cut-Out: M12x1.0 \_\_\_\_\_

针数/Pin Number:8Pin \_\_\_\_\_

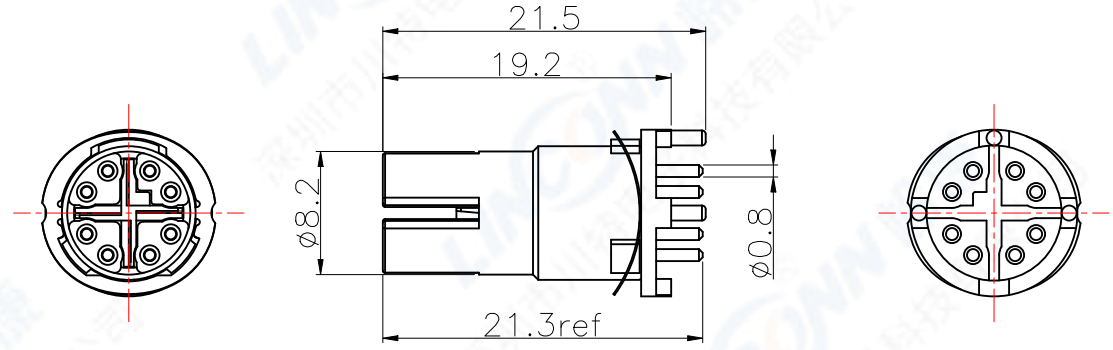
绝缘体型号/Insulator coded:X-coded \_\_\_\_\_

绝缘体类型/Insulator type:F=Female \_\_\_\_\_

针类型/Sold Tpye:PCB L180° \_\_\_\_\_

外壳/ACCESSORIES:S=Shell/带外壳 0=NO/不带外壳 \_\_\_\_\_

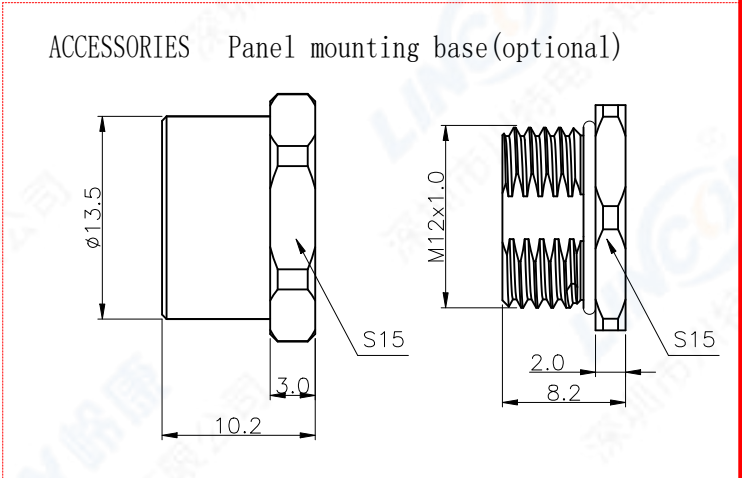
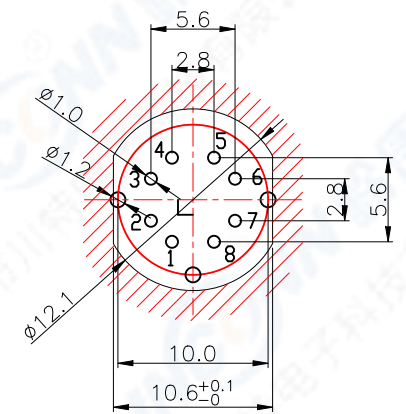
屏蔽/SHIELDED:S=Shield/带屏蔽 0=NO/不带屏蔽 \_\_\_\_\_



技术特性/Technical Characteristics

1. 寿命/Durability: >100 mate/unmate cycles
2. Pin接触电阻/ Pin Contact Resistance: ≤10 mΩ
3. 绝缘电阻/Insulation Resistance: ≥ 100 MΩ
4. 额定电压/Rated voltage:48V
5. 额定电流/Rated current:0.5A
6. 温度等级/Rated Temperature: -25° C,+85° C
7. 盐雾/Corrosion Resistance: Salt spray test,>48h
8. 防水等级/Waterproof: IP67

PCB LAYOUT & PANEL HOLE SIZE



6	六角螺母/Hexagonal nut: 黄铜镀镍/Brass,Nickel plated
5	外壳/Outer Shell: 黄铜镀镍/Brass,Nickel plated
4	十字架/Cross shielded: 锌合金镀镍/Zinc aluminum alloy,Nickel plated
3	针芯/PIN: 铜合金镀金/Copper,gold plating 5U'
2	密封圈/O-RING: Rubber
1	绝缘体/Insulator: PA BLACK

SCALE		TOLERANCES ARE:		TITLE:	
SHEET	DIMENSION	DECIMALES	ANGLES	PART NO.	REV.
1 OF 1	MM	X ± 1	±	M12H9308XFN0S	*
DWG NO.	REV.	APPROVALS	DATE	LINCINN Linconn Elc Tech Co.,LTD	
	A0	APPROVED:			
		CHECKED:			
		CHECKED:			
		DRAWN:	pengsen	09/04/2021	