

ECN	REV	DESCRIPTION	DATE	APPROVED

编码原则/Part Number

固定式插座/Fixed socket M12H 9 308 X F V S S

主型号/Type _____

面板孔/Panel Cut-Out: M12x1.0 _____

针数/Pin Number:8Pin _____

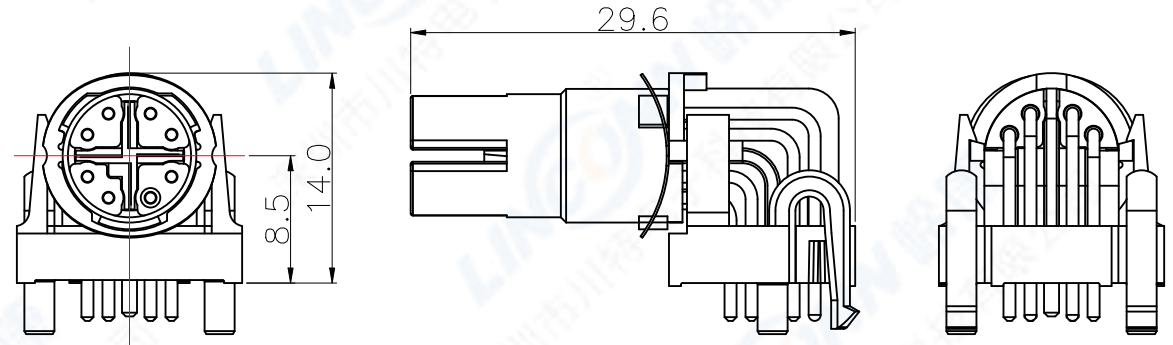
绝缘体型号/Insulator coded:X-coded _____

绝缘体类型/Insulator type:F=Female _____

针类型/Sold Tpye:PCB L90° _____

外壳/ACCESSORIES:S=Shell/带外壳 0=NO/不带外壳 _____

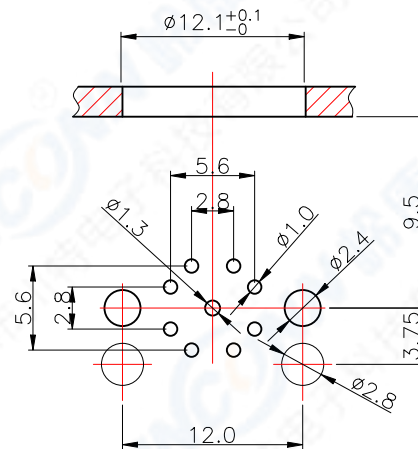
屏蔽/SHIELDED:S=Shield/带屏蔽 0=NO/不带屏蔽 _____



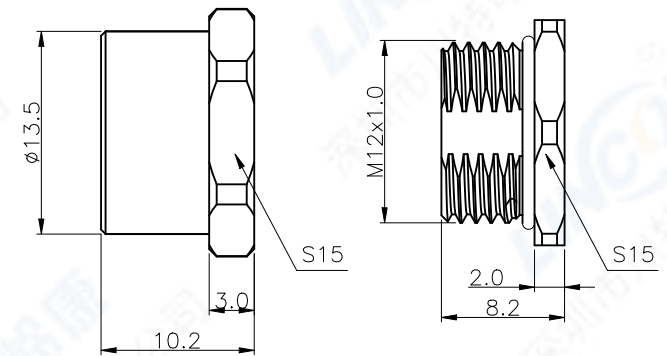
技术特性/Technical Characteristics

1. 寿命/Durability: >100 mate/unmate cycles
2. Pin接触电阻/ Pin Contact Resistance: ≤10 mΩ
3. 绝缘电阻/Insulation Resistance: ≥ 100 MΩ
4. 额定电压/Rated voltage:48V
5. 额定电流/Rated current:0.5A
6. 温度等级/Rated Temperature: -25° C,+85° C
7. 盐雾/Corrosion Resistance: Salt spray test,>48h
8. 防水等级/Waterproof: IP67

PCB LAYOUT & PANEL HOLE SIZE



ACCESSORIES Panel mounting base(optional)



6	六角螺母/Hexagonal nut: 黄铜镀镍/Brass,Nickel plated
5	外壳/Outer Shell: 黄铜镀镍/Brass,Nickel plated
4	十字架/Cross shielded: 锌合金镀镍/Zinc aluminum alloy,Nickel plated
3	针芯/PIN: 铜合金镀金/Copper,gold plating 5U'
2	密封圈/O-RING: Rubber
1	绝缘体/Insulator: PA BLACK

SHEET	DIMENSION	TOLERANCES ARE:	
		DECIMALES	ANGLES
1 OF 1	MM	X ± 1	Z
DWG NO.	REV.	APPROVALS	
	A0	APPROVED:	DATE
		CHECKED:	
		CHECKED:	
		DRAWN: pengsen	09/04/2021

TITLE:	
M12 X-8pin female plug	REV.
PART NO.	*
M12H9308XFV0S	

LINCONN Linconn Elc Tech Co.,LTD