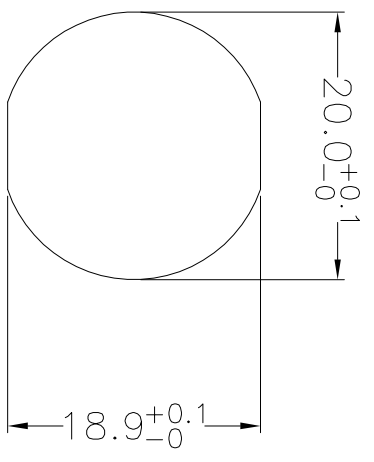
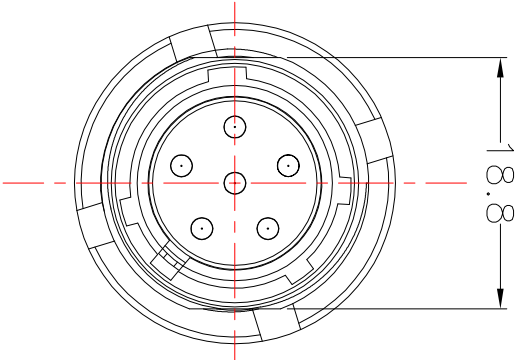
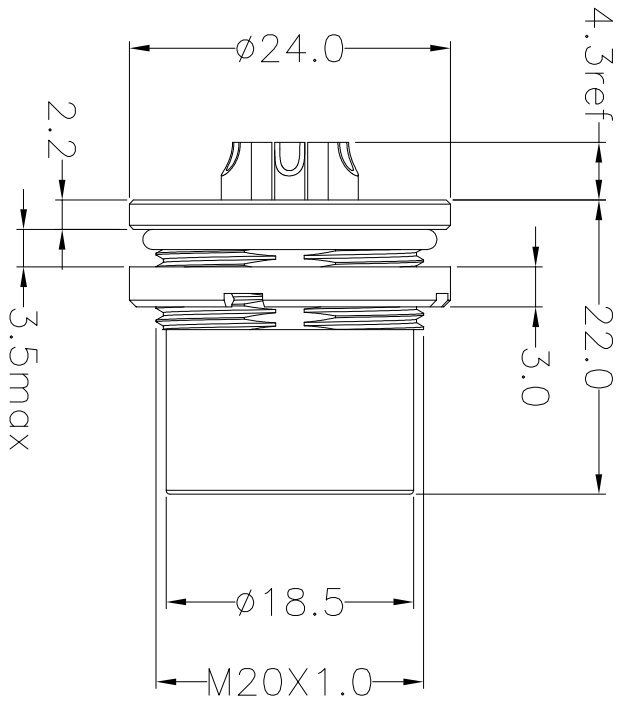


ECN	REV	DESCRIPTION	DATE	APPROVED



Panel hole

6	Epoxy resin
5	O-ring, Black
4	Lock nut: Aluminum alloy anode
3	Male-pin: Brass Gold-plated
2	HOUSING: PA66 Black
1	Metal shell: Aluminum alloy anode
	名称 & 规格/Name & DESCRIPTION

	SCALE	F	
	SHEET	1 OF 1	
DWG. NO.	B349007	REV.	AO

TOLERANCES ARE:	DECIMALS	ANGLES
	.x±	±

APPROVALS	DATE	TITLE:	BB-2590	sc-c-179495	Round Male
APPROVED:		PART NO.			
CHECKED:					
CHECKED:					
DRAWN:					

**Linconn** Linconn Elec Tech Co., LTD

REV. \*