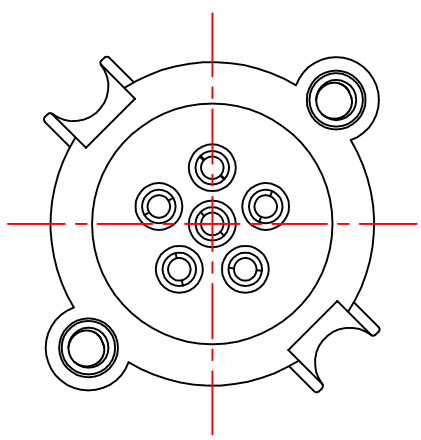
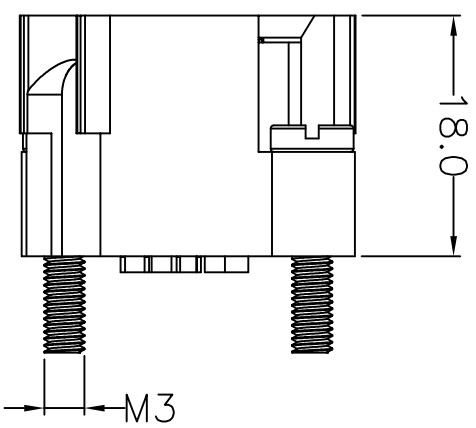
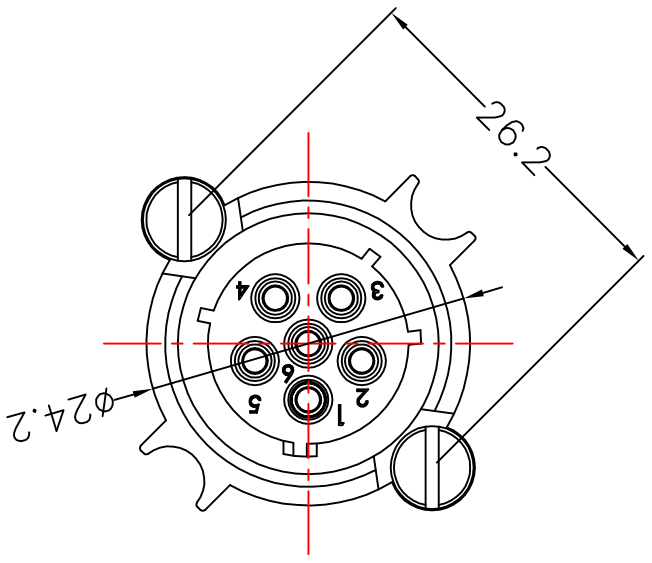


ECN	REV	DESCRIPTION	DATE	APPROVED



5	Epoxy resin
4	O-ring, Red
3	Screw: M3x0.5
2	Female pin, stainless shell and Brass main body, gold plated with main body
1	HOUSING: PA Black
名称 & 规格/Name & DESCRIPTION	

		SCALE	TOLERANCES ARE:		TITLE:
F		F	DECIMALS	ANGLES	BB-2590 SC-C-179495 FEMALE
SHEET	DIMENSION	APPROVALS	DATE	PART NO.	
1 OF 1	MM	APPROVED:			
DWG. NO.	REV.	CHECKED:			
B349008	AO	DRAWN:			
				REV.	
				*	

**Linconn** Linconn Etc Tech Co., LTD