

ECN	REV	DESCRIPTION	DATE	APPROVED

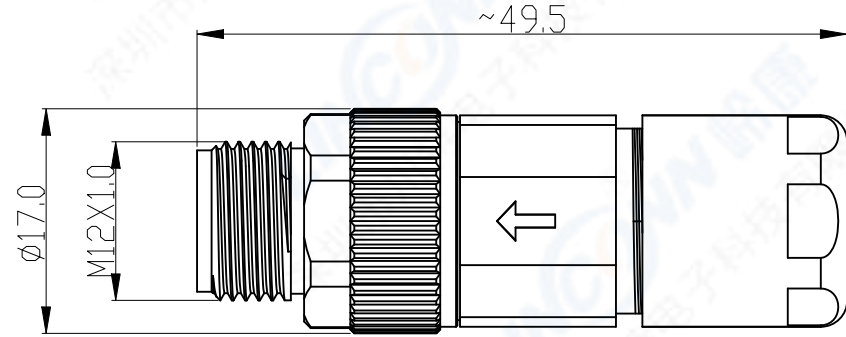
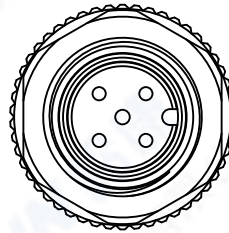
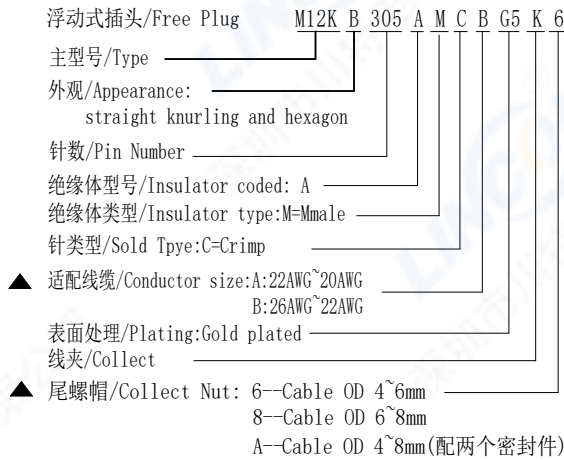
1. 芯数/NO. of contacts

系列/Series	304	305	308
孔位排列/Pin Number			
适配线缆/Conductor size	22AWG	22AWG	24AWG
导体直径/Pin size	1.0mm	1.0mm	0.8mm
额定电流/Rated current	4A	4A	2A
额定电压/Rated voltage	250V	60V	30V

2. 绝缘体型号/Insulator Coded

Coded	A	D
型号		

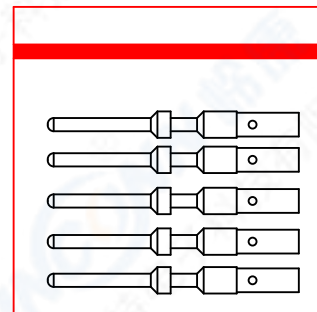
3. 编码原则/Part Number



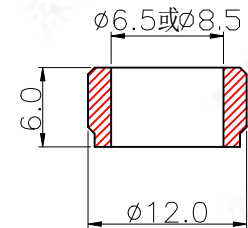
4. 技术特性/Technical Characteristics

1. 寿命/Durability: >500 mate/unmate cycles
2. Pin接触电阻/ Pin Contact Resistance: ≤10 mΩ
3. 绝缘电阻/Insulation Resistance: ≥ 100 MΩ
4. 温度等级/Rated Temperature: -25° C, +85° C
5. 盐雾/Corrosion Resistance: Salt spray test, >48h
6. 防水等级/Waterproof: IP67

插针/Pin packaging



密封圈/O-RING: 两种尺寸可选



7	尾螺帽/Collect Nut: 黄铜镀镍/Brass,Nickel plated
6	线夹/Collect: 尼龙/Nylon
5	外壳/Outer Shell: 锌合金镀镍/ Zinc Alloy,Nickel plated
4	密封圈/O-RING: Rubber
3	M12 外壳/M12 Outer Shell: 黄铜镀镍/Brass,Nickel plated
2	公针芯/PIN: 黄铜镀金/Brass,Gold plating 0.125um
1	绝缘体/Insulator: Nylon blue
序号ITEM	名称 & 规格/Name & Description

SCALE		TOLERANCES ARE:	
F		DECIMALES	ANGLES
DIMENSION		x±	±
SHEET	1 OF 1	APPROVALS	DATE
1	MM	APPROVED:	
DWG NO.	REV.	CHECKED:	
M12K	A0	CHECKED:	
		DRAWN:	pengsen 07/25/2023

TITLE:	
M12 male Plug	
PART NO.	REV.
M12KB305AMCBG5K6	*
Linconn Elc Tech Co.,LTD	