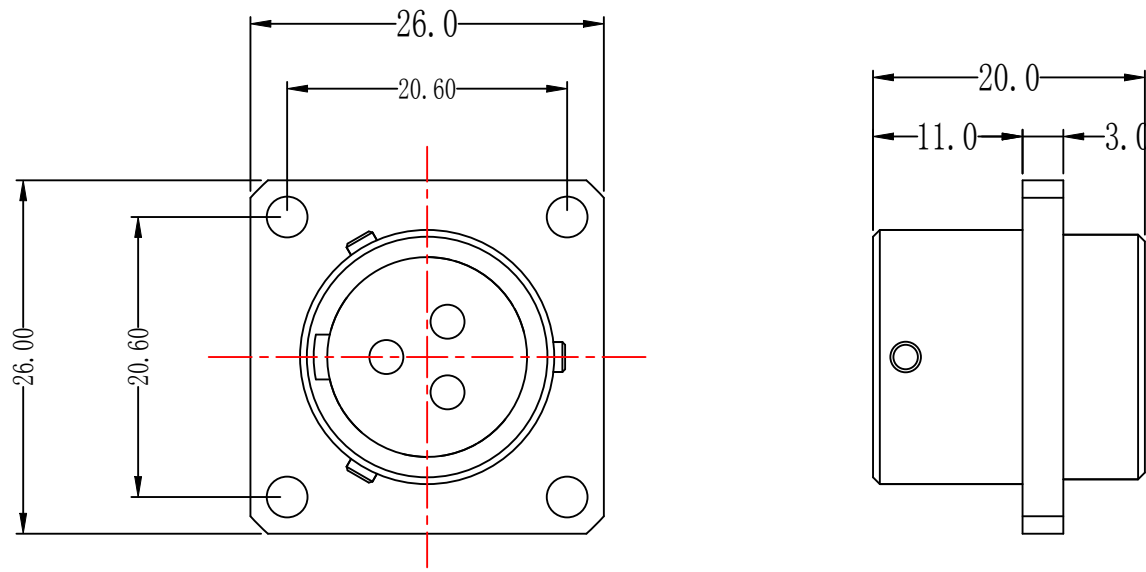


ECN	REV	DESCRIPTION	DATE	APPROVED



技术特性/Technical Characteristics

1. 寿命/Durability: >500 mate/unmate cycles
2. Pin接触电阻/ Pin Contact Resistance: $\leq 10 \text{ m}\Omega$
3. 绝缘电阻/Insulation Resistance: $\geq 1000 \text{ M}\Omega @ 500\text{V}$
5. 盐雾/Corrosion Resistance: Salt spray test, >72h
6. 防水等级/Waterproof: IP67
6. 温度等级/Temperature Range: -60°C to $+120^\circ\text{C}$

4	密封圈/O-RING: Rubber		SCALE	TOLERANCES ARE:		TITLE: 3Pin male socket
3	公针芯/PIN: 铁镍合金镀镍/FeNi alloy, Nickel plated		F	DECIMALES	ANGLES	
2	绝缘体/Insulator: ELAN #13	SHEET	DIMENSION	APPROVALS	DATE	PART NO.
1	外壳/Outer Shell: 不锈钢镀镍/Stainless steel, Nickel plated	1 OF 1	MM	APPROVED:		REV. *
序号ITEM	名称 & 规格/Name & DESCRIPTION	DWG NO.	REV.	CHECKED:		Linconn Elc Tech Co.,LTD
		H179001	A0	CHECKED:		
				DRAWN:	pengsen 07/21/2023	