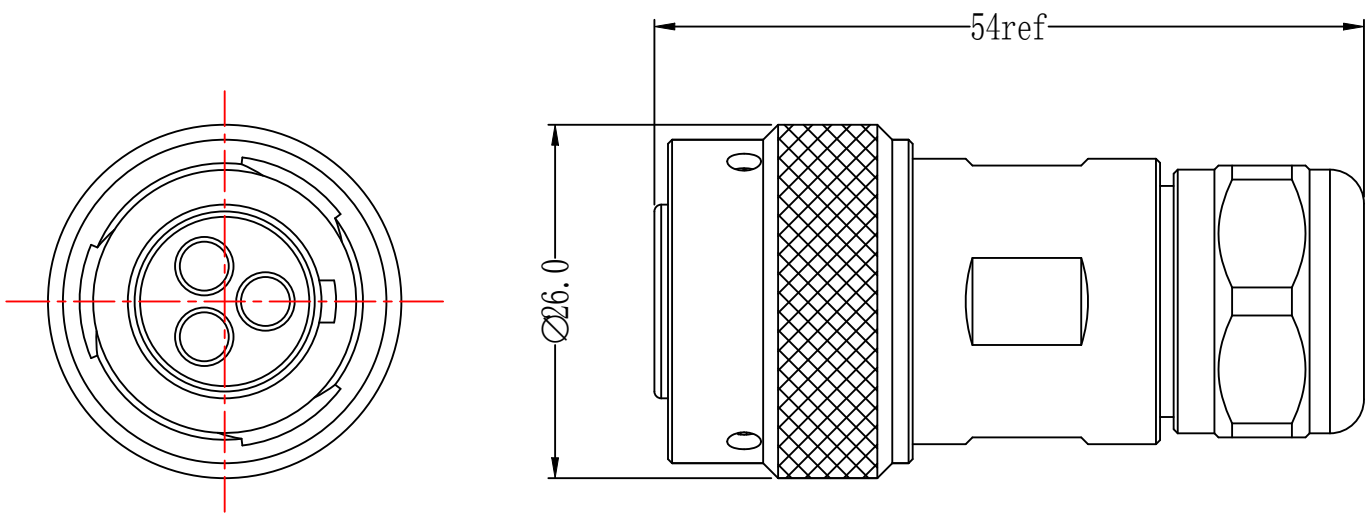


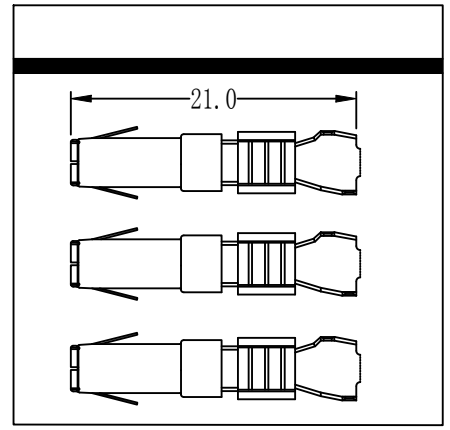
ECN	REV	DESCRIPTION	DATE	APPROVED



技术特性/Technical Characteristics

1. 寿命/Durability: 500 mate/unmate cycles
2. Pin接触电阻/ Pin Contact Resistance: $\leq 10 \text{ m}\Omega$
3. 绝缘电阻/Insulation Resistance: $\geq 1000 \text{ M}\Omega @ 500\text{V}$
5. 盐雾/Corrosion Resistance: Salt spray test, >72h
6. 防水等级/Waterproof: IP67
6. 温度等级/Temperature Range: -60°C to $+120^\circ\text{C}$

3pcs装一个小袋



8	端子/Terminal: 铜合金镀锡/Copper alloy, Tin plated
7	线夹/Collect: Nylon
6	密封圈/Gasket: Rubber
5	尾螺帽/Collect Nut: 黄铜镀镍/Brass, Nickel plated
4	外壳/Outer Shell: 黄铜镀镍/Brass, Nickel plated
3	绝缘体/Insulator: Nylon
2	插头壳体/Housing-plug: 铝合金镀镍/Aluminum alloy, Nickel plated
1	旋帽/Turn Cap: 铝合金镀镍/Aluminum alloy, Nickel plated
序号ITEM	名称 & 规格/Name & DESCRIPTION

SCALE		TOLERANCES ARE:	
SHEET	DIMENSION	DECIMALES	ANGLES
1 OF 1	MM	$\pm .1$	\pm
DWG NO.	REV.	APPROVALS	DATE
H179002	A0	CHECKED:	CHECKED:
		DRAWN: pengsen	07/21/2023

TITLE:	
3Pin female plug	
PART NO.	REV.
	*

LINCONN Linconn Elc Tech Co.,LTD