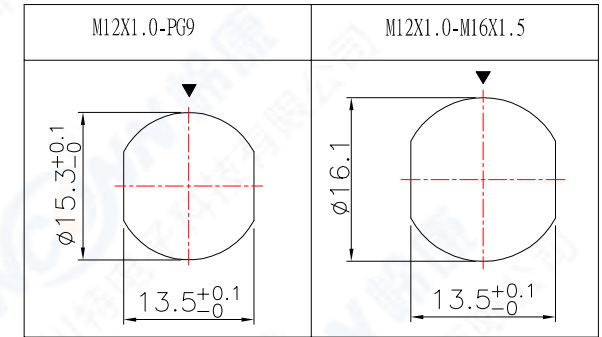


| ECN | REV | DESCRIPTION | DATE | APPROVED |
|-----|-----|-------------|------|----------|
|     |     |             |      |          |

### 1. 芯数/NO. of contacts

| 系列/Series           | 305K     | 305L  | 304S     | 304T  | 703A  |
|---------------------|----------|-------|----------|-------|-------|
| 孔位排列/Pin Number     |          |       |          |       |       |
| 适配线缆/Conductor size | 18AWG    | 18AWG | 18AWG    | 18AWG | 18AWG |
| 导体直径/Pin size       | 1.5mm    | 1.5mm | 1.5mm    | 1.5mm | 1.8mm |
| 额定电流/Rated current  | 12A      | 12A   | 12A      | 12A   | 12A   |
| 额定电压/Rated voltage  | 630V. AC | 63V   | 630V. AC | 63V   | 63V   |

### 4. 面板开孔/RECOMMENDED PANEL CUT-OUT



### 2. 编码原则/Part Number

浮动式插头/Free Plug

M12F 7 304 S M A L G1

主型号/Type

外观/Appearance: Straight knurling

针数/Pin Number

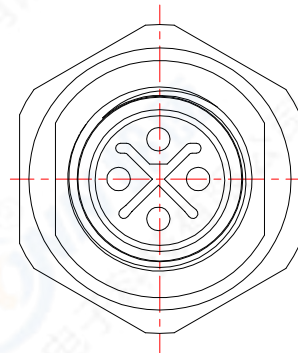
绝缘体型号/Insulator coded: A, S, T, K, L

绝缘体型号/Insulator type: M=Male

针类型/Sold Type: A=Turning

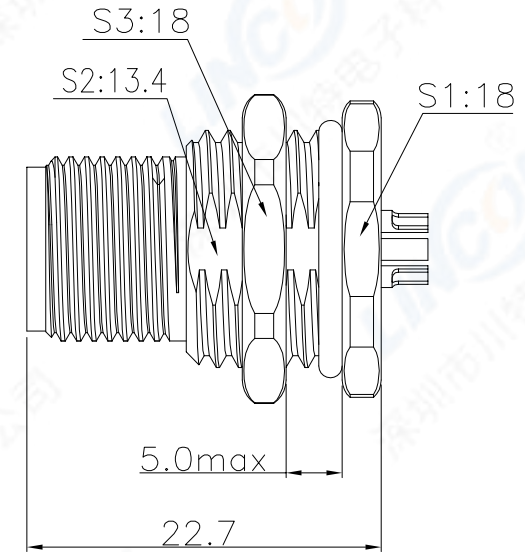
针长度/Pin Length: S=Short, L=Long

表面处理/Plating: Gold Flash



### 3. 技术特性/Technical Characteristics

1. 寿命/Durability: >100 mate/unmate cycles
2. Pin接触电阻/ Pin Contact Resistance: ≤10 mΩ
3. 绝缘电阻/Insulation Resistance: ≥ 100 MΩ
4. 温度等级/Rated Temperature: -25°C, +80°C
5. 盐雾/Corrosion Resistance: Salt spray test, >48h
6. 防水等级/Waterproof: IP67



|        |   |
|--------|---|
| 5      | 六角螺母/Hexagonal nut: 黄铜镀镍/Brass, Nickel plated |
| 4      | 密封圈/O-RING: Rubber                            |
| 3      | 外壳/Outer Shell: 黄铜镀镍/Brass, Nickel plated     |
| 2      | 绝缘体/Insulator: PA BLACK                       |
| 1      | 公针芯/PIN: 黄铜镀金/Brass, G/F                      |
| 序号ITEM | 名称 & 规格/Name & Description                    |

| SCALE   |           | TOLERANCES ARE:<br>DECIMALES<br>X ± 0.2<br>.XX ± 0.1 | ANGLES<br>± |
|---------|-----------|--|-------------|
| F       |           |  |             |
| SHEET   | DIMENSION | APPROVALS  | DATE        |
| 1 OF 1  | MM        | APPROVED:  |             |
| DWG NO. | REV.      | CHECKED:   |             |
| M12F    | A0        | CHECKED:   |             |
|         |           | DRAWN: pengsen                                       | 04/16/2020  |

|   |        |
|---|--------|
| TITLE: 固定式插座/Fixed socket               |        |
| PART NO. M12F7304SMALG1                 | REV. * |
| <b>LINCONN</b> Linconn Elc Tech Co.,LTD |        |