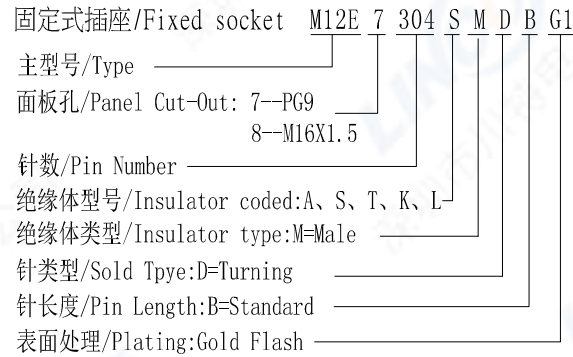


1. 芯数/NO. of contacts

系列/Series	305K	305L	304S	304T	703A
Pin 排列/Pin Assignment PCB 孔位/PCB Layout (Front View)					
导体直径/Pin size	1.5mm	1.5mm	1.5mm	1.5mm	1.8mm
额定电压/Rated voltage	630V. AC	63V	630V. AC	12A	63V
额定电流/Rated current	12A	12A	12A	63V	15A

“▼” Insulator key

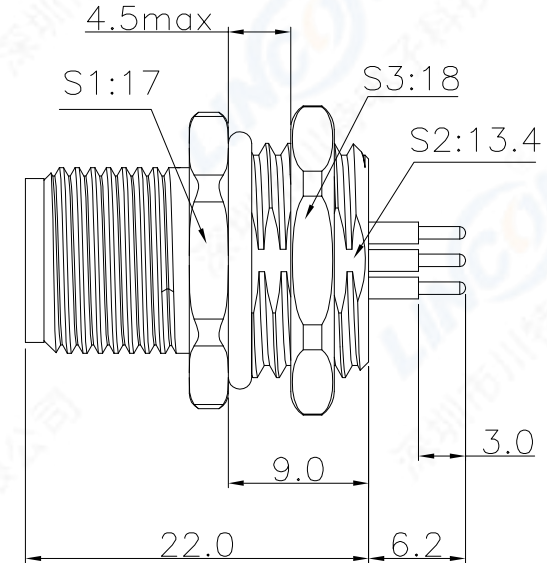
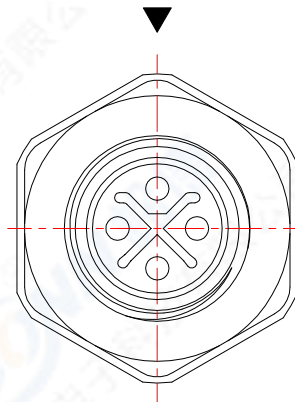
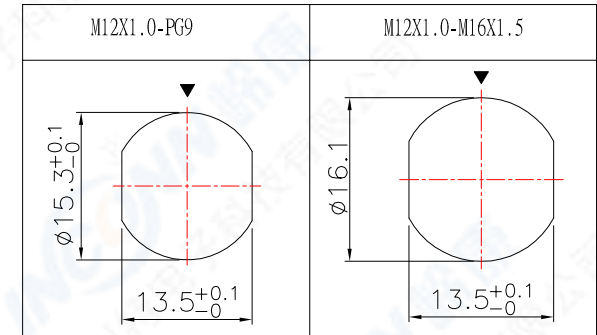
2. 编码原则/Part Number



3. 技术特性/Technical Characteristics

- 寿命/Durability: >100 mate/unmate cycles
- Pin接触电阻/ Pin Contact Resistance: ≤10 mΩ
- 绝缘电阻/Insulation Resistance: ≥ 100 MΩ
- 温度等级/Rated Temperature: -25° C, +80° C
- 盐雾/Corrosion Resistance: Salt spray test, >48h
- 防水等级/Waterproof: IP67

4. 面板开孔/RECOMMENDED PANEL CUT-OUT



5	六角螺母/Hexagonal nut: 黄铜镀镍/Brass, Nickel plated
4	密封圈/O-RING: Rubber
3	外壳/Outer Shell: 黄铜镀镍/Brass, Nickel plated
2	绝缘体/Insulator: PA BLACK
1	公针芯/PIN: 黄铜镀金/Brass, G/F
序号ITEM	名称 & 规格/Name & Description

	SCALE
	F
SHEET	DIMENSION
1 OF 1	MM
DWG NO.	REV.
M12E	A0

TOLERANCES ARE:	
DECIMALES	ANGLES
X ± 0.2	±
.XX ± 0.1	
APPROVALS	DATE
APPROVED:	
CHECKED:	
CHECKED:	
DRAWN: pengsen	04/16/2020

TITLE: 固定式插座/Fixed socket	
PART NO. M12E7304SMDBG1	REV. *
Linnonn Elc Tech Co.,LTD	