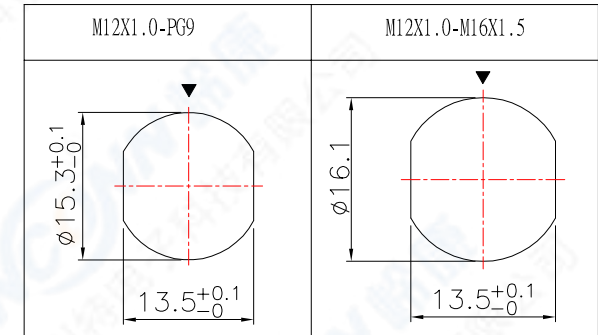


1. 芯数/NO. of contacts

系列/Series	305K	305L	304S	304T	703A
孔位排列/Pin Number					
适配线缆/Conductor size	18AWG	18AWG	18AWG	18AWG	18AWG
导体直径/Pin size	1.5mm	1.5mm	1.5mm	1.5mm	1.8mm
额定电流/Rated current	12A	12A	12A	12A	12A
额定电压/Rated voltage	630V. AC	63V	630V. AC	63V	63V

4. 面板开孔/RECOMMENDED PANEL CUT-OUT



2. 编码原则/Part Number

浮动式插头/Free Plug

M12E 7 304 S M A L G1

主型号/Type

外观/Appearance: Straight knurling

针数/Pin Number

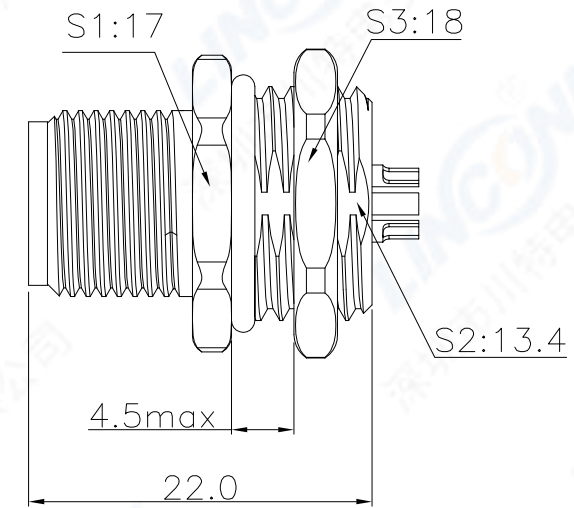
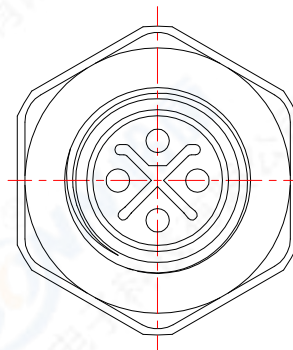
绝缘体型号/Insulator coded: A, S, T, K, L

绝缘体型号/Insulator type: M=Male

针类型/Sold Type: A=Turning

针长度/Pin Length: S=Short, L=Long

表面处理/Plating: Gold Flash



3. 技术特性/Technical Characteristics

1. 寿命/Durability: >100 mate/unmate cycles
2. Pin接触电阻/ Pin Contact Resistance: ≤10 mΩ
3. 绝缘电阻/Insulation Resistance: ≥ 100 MΩ
4. 温度等级/Rated Temperature: -25°C,+80°C
5. 盐雾/Corrosion Resistance: Salt spray test, >48h
6. 防水等级/Waterproof: IP67

5	六角螺母/Hexagonal nut: 黄铜镀镍/Brass, Nickel plated
4	密封圈/O-RING: Rubber
3	外壳/Outer Shell: 黄铜镀镍/Brass, Nickel plated
2	绝缘体/Insulator: PA BLACK
1	公针芯/PIN: 黄铜镀金/Brass, G/F
序号ITEM	名称 & 规格/Name & Description

	SCALE	TOLERANCES ARE: DECIMALES X ± 0.2 .XX ± 0.1	ANGLES ±
	F		
SHEET	DIMENSION	APPROVALS	DATE
1 OF 1	MM	APPROVED:	
DWG NO.	REV.	CHECKED:	
M12E	A0	CHECKED:	
		DRAWN: pengsen	04/16/2020

TITLE: 固定式插座/Fixed socket	
PART NO. M12E7304SMALG1	REV. *
Linconn Elc Tech Co.,LTD	