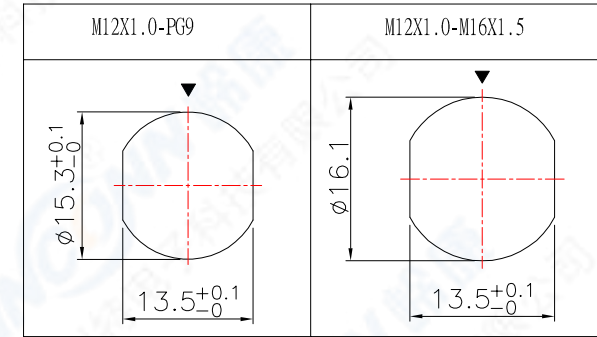


1. 芯数/NO. of contacts

系列/Series	305K	305L	304S	304T	703A
Pin 排列/Pin Assignment PCB 孔位/PCB Layout (Front View)					
导体直径/Pin size	1.5mm	1.5mm	1.5mm	1.5mm	1.8mm
额定电压/Rated voltage	630V. AC	63V	630V. AC	12A	63V
额定电流/Rated current	12A	12A	12A	63V	15A

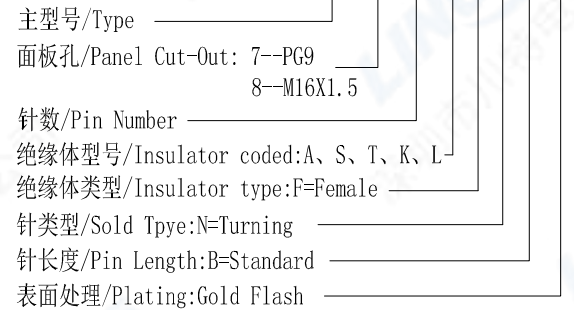
4. 面板开孔/RECOMMENDED PANEL CUT-OUT



“▼” Insulator key

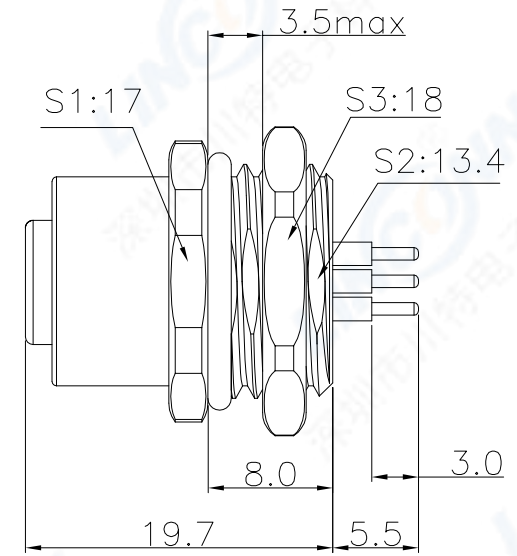
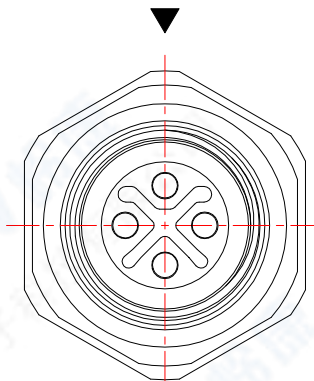
2. 编码原则/Part Number

固定式插座/Fixed socket M12E 7 304 S F N B G1



3. 技术特性/Technical Characteristics

1. 寿命/Durability: >100 mate/unmate cycles
2. Pin接触电阻/ Pin Contact Resistance: ≤10 mΩ
3. 绝缘电阻/Insulation Resistance: ≥ 100 MΩ
4. 温度等级/Rated Temperature: -25° C, +80° C
5. 盐雾/Corrosion Resistance: Salt spray test, >48h
6. 防水等级/Waterproof: IP67



5	六角螺母/Hexagonal nut: 黄铜镀镍/Brass, Nickel plated
4	母针芯/PIN: 磷铜镀金/Phosphor copper, G/F
3	外壳/Outer Shell: 黄铜镀镍/Brass, Nickel plated
2	密封圈/O-RING: Rubber
1	绝缘体/Insulator: PA BLACK
序号/ITEM	名称 & 规格/Name & Description

	SCALE	F	DIMENSION	MM	SHEET	1 OF 1	DWG NO.	REV.	M12E	A0	
	TOLERANCES ARE: DECIMALES · X±0.2 · XX±0.1										ANGLES ±
				APPROVALS	DATE						
				APPROVED:							
				CHECKED:							
				DRAWN:	pengsen	04/16/2020					

TITLE: 固定式插座/Fixed socket	
PART NO. M12E7304SFNBG1	REV. *
Linnonn Etc Tech Co.,LTD	