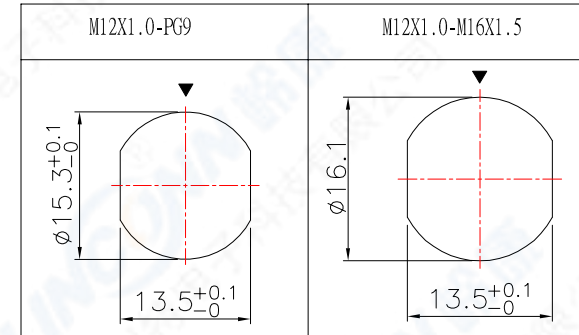


ECN	REV	DESCRIPTION	DATE	APPROVED

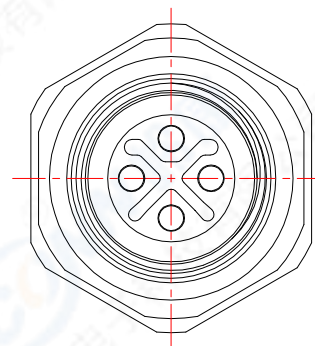
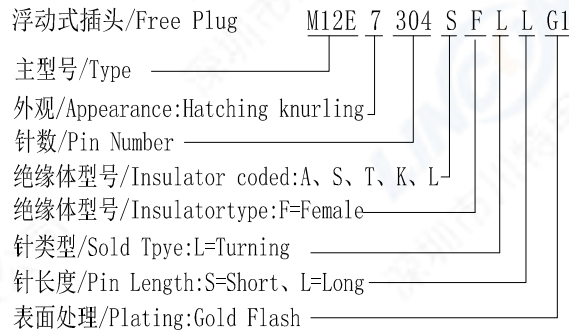
1. 芯数/NO. of contacts

系列/Series	305K	305L	304S	304T	703A
孔位排列/Pin Number					
适配线缆/Conductor size	18AWG	18AWG	18AWG	18AWG	18AWG
导体直径/Pin size	1.5mm	1.5mm	1.5mm	1.5mm	1.8mm
额定电流/Rated current	12A	12A	12A	12A	12A
额定电压/Rated voltage	630V.AC	63V	630V.AC	63V	63V

4. 面板开孔/RECOMMENDED PANEL CUT-OUT

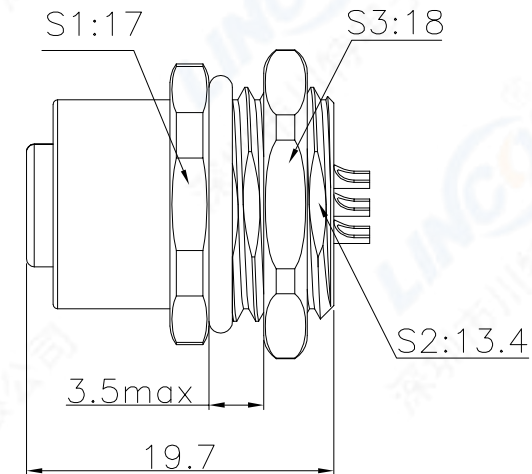


2. 编码原则/Part Number



3. 技术特性/Technical Characteristics

1. 寿命/Durability: >100 mate/unmate cycles
2. Pin接触电阻/ Pin Contact Resistance: ≤10 mΩ
3. 绝缘电阻/Insulation Resistance: ≥ 100 MΩ
4. 温度等级/Rated Temperature: -25°C,+80°C
5. 盐雾/Corrosion Resistance: Salt spray test,>48h
6. 防水等级/Waterproof: IP67



5	六角螺母/Hexagonal nut: 黄铜镀镍/Brass,Nickel plated
4	母针芯/PIN: 磷铜镀金/Phosphor copper,G/F
3	外壳/Outer Shell: 黄铜镀镍/Brass,Nickel plated
2	密封圈/O-RING: Rubber
1	绝缘体/Insulator: PA BLACK
序号/ITEM	名称 & 规格/Name & Description

	SCALE
F	F
SHEET	DIMENSION
1 OF 1	MM
DWG NO.	REV.
M12E	A0

TOLERANCES ARE: DECIMALES ANGLES X±0.2 XX±0.1	
APPROVALS	DATE
APPROVED:	
CHECKED:	
CHECKED:	
DRAWN: pengsen	04/16/2020

TITLE: 固定式插座/Fixed socket	
PART NO. M12E7304SFLG1	REV. *
Linconn Elc Tech Co.,LTD	