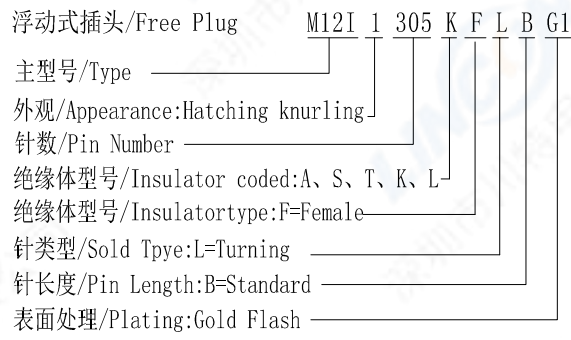


ECN	REV	DESCRIPTION	DATE	APPROVED

1. 芯数/NO. of contacts

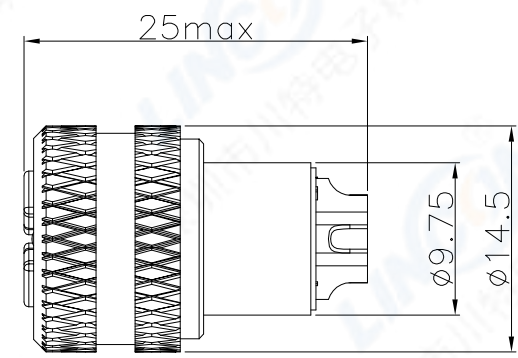
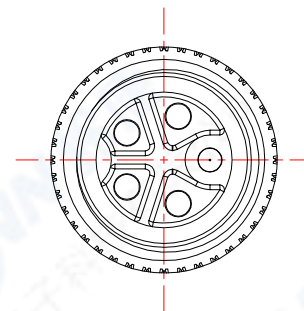
系列/Series	305K	305L	304S	304T	703A
孔位排列/Pin Number					
适配线缆/Conductor size	18AWG	18AWG	18AWG	18AWG	18AWG
导体直径/Pin size	1.5mm	1.5mm	1.5mm	1.5mm	1.8mm
额定电流/Rated current	12A	12A	12A	12A	12A
额定电压/Rated voltage	630V. AC	63V	630V. AC	63V	63V

2. 编码原则/Part Number



3. 技术特性/Technical Characteristics

1. 寿命/Durability: >100 mate/unmate cycles
2. Pin接触电阻/ Pin Contact Resistance: ≤10 mΩ
3. 绝缘电阻/Insulation Resistance: ≥ 100 MΩ
4. 温度等级/Rated Temperature: -25°C,+80°C
5. 盐雾/Corrosion Resistance: Salt spray test,>48h
6. 防水等级/Waterproof: IP67



5	屏蔽壳/Shield Shell: 黄铜镀镍/Brass,Nickel plated
4	母针芯/PIN: 磷铜镀金/Phosphor copper, G/F
3	外壳/Outer Shell: 黄铜镀镍/Brass,Nickel plated
2	密封圈/O-RING: Rubber
1	绝缘体/Insulator: PA BLACK

	SCALE	TOLERANCES ARE: DECIMALES X±0.2 XX±0.1	ANGLES ±
	F		
SHEET	DIMENSION	APPROVALS	DATE
1 OF 1	MM	APPROVED:	
DWG NO.	REV.	CHECKED:	
M12I	A0	CHECKED:	
		DRAWN: pengsen	04/16/2020

TITLE:	浮动式插头/Free Plug
PART NO.	M12I1305KFLBG1
REV.	*

序号ITEM	名称 & 规格/Name & Description	LINCINN Linconn Elc Tech Co.,LTD	
--------	----------------------------	----------------------------------	--