

ECN	REV	DESCRIPTION	DATE	APPROVED

1. 芯数/NO. of contacts

系列/Series	305K	305L	304S	304T	803A
孔位排列/Pin Number					
适配线缆/Conductor size	18AWG	18AWG	18AWG	18AWG	16AWG
导体直径/Pin size	1.5mm	1.5mm	1.5mm	1.5mm	1.8mm
额定电流/Rated current	12A	12A	12A	12A	15A
额定电压/Rated voltage	630V. AC	63V	630V. AC	63V	220V. AC

2. 编码原则/Part Number

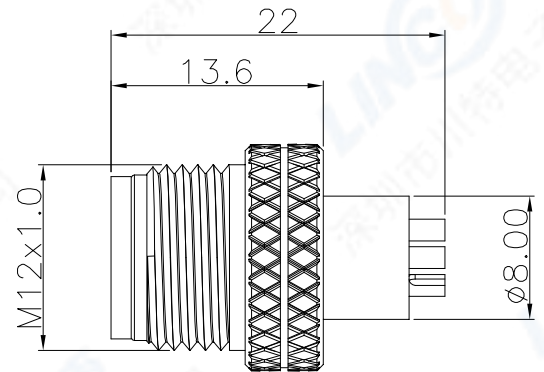
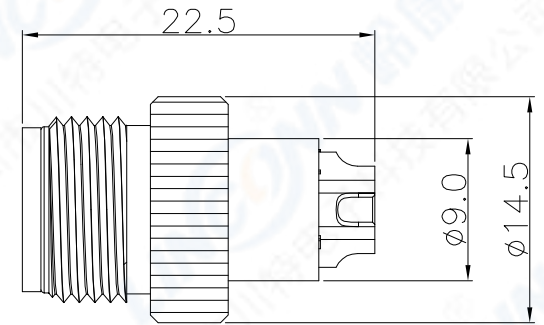
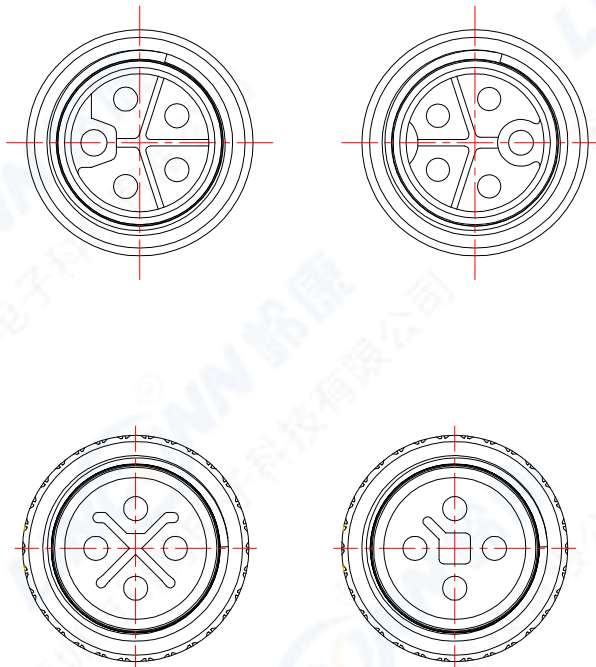
浮动式插头/Free Plug M12A 2 305 K M A B G1

- 主型号/Type _____
- 外观/Appearance: Straight knurling _____
- 针数/Pin Number _____
- 绝缘体型号/Insulator coded: A、S、T、K、L _____
- 绝缘体型号/Insulator type: M=Male _____
- 针类型/Sold Tpye: A=Turning _____
- 针长度/Pin Length: B=Standard _____
- 表面处理/Plating: Gold Flash _____

NOTE: T、S-coding ---> M12A1***

3. 技术特性/Technical Characteristics

1. 寿命/Durability: >100 mate/unmate cycles
2. Pin接触电阻/ Pin Contact Resistance: ≤10 mΩ
3. 绝缘电阻/Insulation Resistance: ≥ 100 MΩ
4. 温度等级/Rated Temperature: -25°C,+80°C
5. 盐雾/Corrosion Resistance: Salt spray test, >48h
6. 防水等级/Waterproof: IP67



3	外壳/Outer Shell: 黄铜镀镍/Brass, Nickel plated		SCALE	TOLERANCES ARE:		TITLE: 浮动式插头/Free Plug
2	公针芯/PIN: 黄铜镀金/Brass, G/F		F	DECIMALES	ANGLES	
1	绝缘体/Insulator: PA BLACK	1 OF 1	DIMENSION	APPROVALS	DATE	PART NO. M12A2305KMABG1
序号ITEM	名称 & 规格/Name & Description	M12A	MM	APPROVED:	DRAWN: pengsen	DATE: 04/16/2020
				CHECKED:		
				CHECKED:		
				DRAWN: pengsen		REV. *
				DATE: 04/16/2020		LINCONN Linconn Elec Tech Co., LTD

由 Autodesk 教育版产品制作

由 Autodesk 教育版产品制作