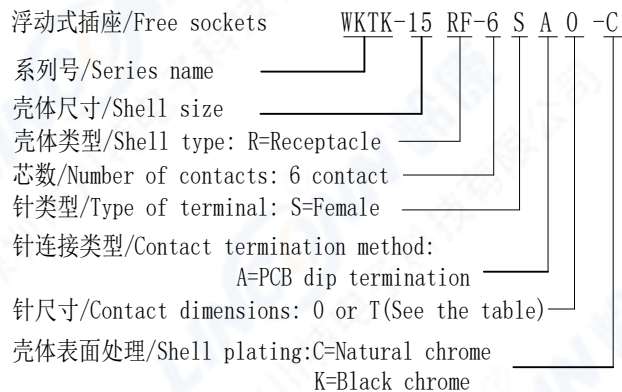


ECN	REV	DESCRIPTION	DATE	APPROVED
-----	-----	-------------	------	----------

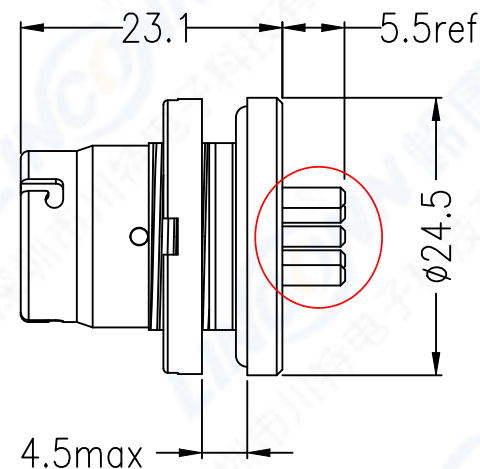
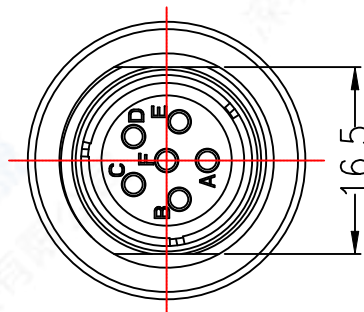
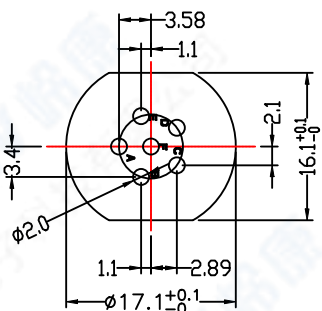
编码原则/Part Number



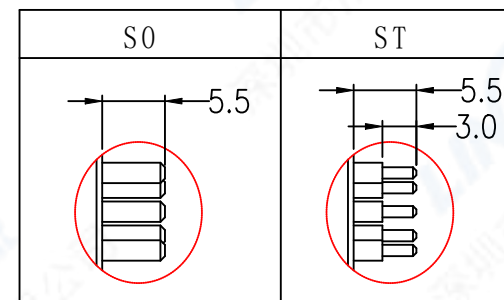
技术特性/Technical Characteristics

1. 寿命/Durability: >100 mate/unmate cycles
2. Rated current & voltage: 0.5A & 60V
3. Pin接触电阻/ Pin Contact Resistance: $\leq 50 \text{ m}\Omega$
4. 绝缘电阻/Insulation Resistance: $\geq 5000 \text{ M}\Omega$
5. 温度等级/Rated Temperature: $-25^\circ \text{C}, +85^\circ \text{C}$
6. 防水等级/Waterproof: IP67

面板开孔/RECOMMENDED PANEL CUT-OUT
PCB 孔位/PCB Layout



针尺寸/PCB dip termination contact dimensions



5	开槽螺母/NOTCHED NUT: 黄铜镀铬/BRASS, CHROME PLATED BLACK
4	母针芯/PIN: 黄铜镀金/BRASS, GOLD PLATED
3	绝缘体/INSULATOR: PA66+GF Black
2	外壳/OUTER SHELL: 黄铜镀铬/BRASS, CHROME PLATED BLACK
1	密封圈/O-RING: 橡胶/RUBBER
序号ITEM	名称 & 规格/Name & DESCRIPTION

	SCALE	TOLERANCES ARE: DECIMALES $\begin{matrix} X \pm \\ X \pm \end{matrix}$ ANGLES $\begin{matrix} \pm \\ \pm \end{matrix}$	
	F		
SHEET	DIMENSION	APPROVALS	DATE
1 OF 1	MM	APPROVED:	
DWG NO.	REV.	CHECKED:	
U283	A0	CHECKED:	
		DRAWN: pengsne	07/18/2020

TITLE: 6Pin socket	
PART NO. WKTK-15RF-6SAx-C	REV. *
Linconn Elc Tech Co.,LTD	