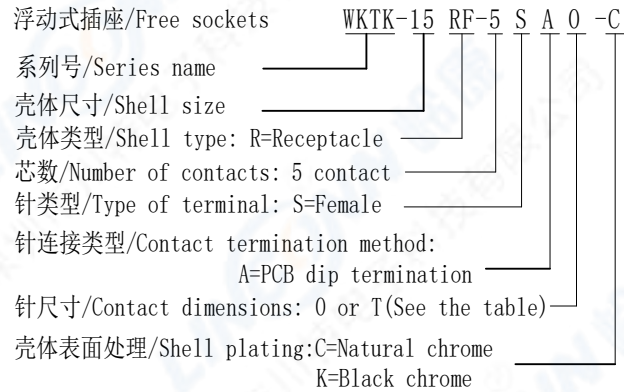


ECN	REV	DESCRIPTION	DATE	APPROVED

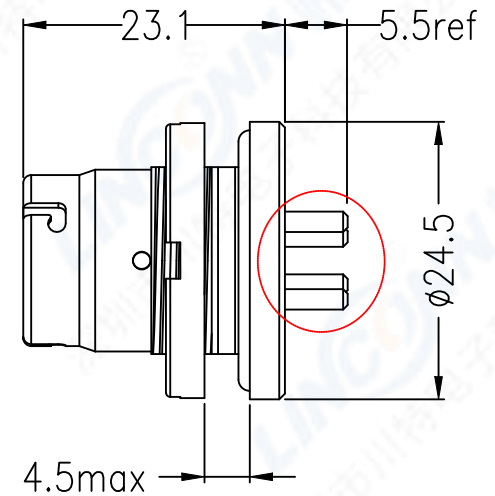
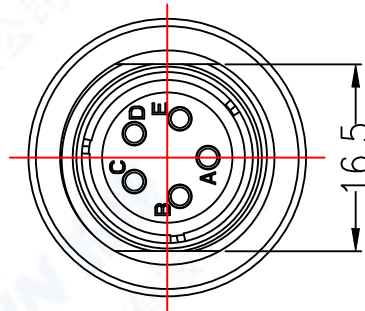
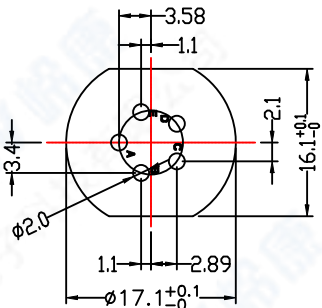
编码原则/Part Number



技术特性/Technical Characteristics

1. 寿命/Durability: >100 mate/unmate cycles
2. Rated current & voltage: 0.5A & 60V
3. Pin接触电阻/ Pin Contact Resistance:  $\leq 50 \text{ m}\Omega$
4. 绝缘电阻/Insulation Resistance:  $\geq 5000 \text{ M}\Omega$
5. 温度等级/Rated Temperature:  $-25^\circ \text{C}$ ,  $+85^\circ \text{C}$
6. 防水等级/Waterproof: IP67

面板开孔/RECOMMENDED PANEL CUT-OUT  
PCB 孔位/PCB Layout



5	开槽螺母/NOTCHED NUT: 黄铜镀铬/BRASS, CHROME PLATED BLACK
4	母针芯/PIN: 黄铜镀金/BRASS, GOLD PLATED
3	绝缘体/INSULATOR: PA66+GF Black
2	外壳/OUTER SHELL: 黄铜镀铬/BRASS, CHROME PLATED BLACK
1	密封圈/O-RING: 橡胶/RUBBER
序号ITEM	名称 & 规格/Name & DESCRIPTION

	SCALE	TOLERANCES ARE: DECIMALES $\pm$ ANGLES $\pm$		TITLE: 5Pin socket	
	F				
SHEET	DIMENSION	APPROVALS		DATE	
1 OF 1	MM	APPROVED:			
DWG NO.	REV.	CHECKED:			
U183	A0	DRAWN: pengsne		07/18/2020	
				PART NO. WKTK-15RF-5SAx-C	
				REV. *	
Linconn Elc Tech Co.,LTD					