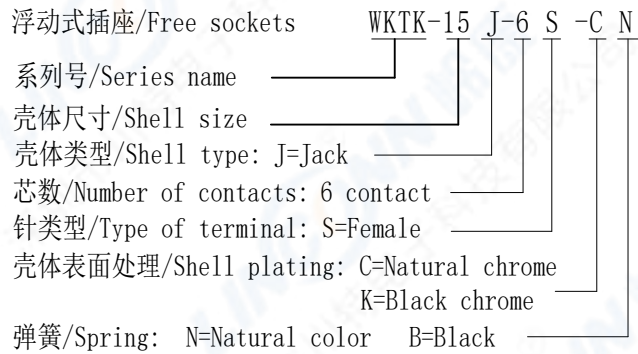


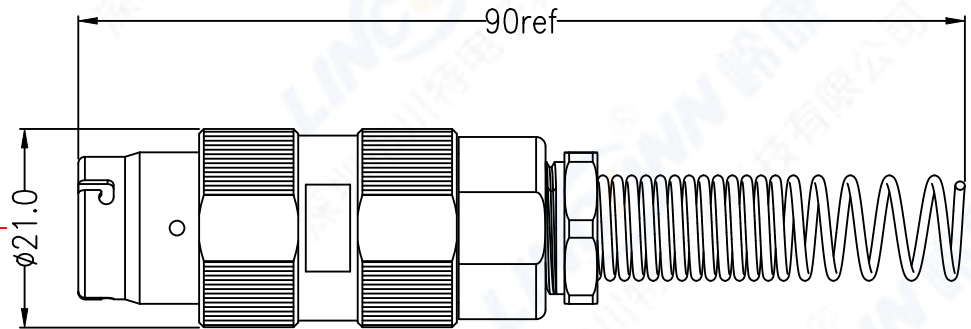
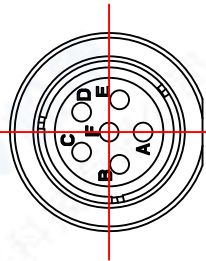
ECN	REV	DESCRIPTION	DATE	APPROVED

1 编码原则/Part Number



4 技术特性/Technical Characteristics

1. 寿命/Durability: >100 mate/unmate cycles
2. Rated current & voltage: 0.5A & 60V
3. Pin接触电阻/ Pin Contact Resistance: ≤50 mΩ
4. 绝缘电阻/Insulation Resistance: ≥ 5000 MΩ
5. 温度等级/Rated Temperature: -25° C, +85° C
6. 防水等级/Waterproof: IP67



10	尾帽/CABLE NUT: 铝合金/ANODIZING
9	弹簧/SPRING: 钢/STEEL
8	垫片/WASHER: 不锈钢钢/SUS
7	防水塞/RUBBER CASE: 硅胶/SILICON RUBBER
6	螺帽/NUT ADAPTOR: 铝合金/ANODIZING
5	塑胶环/PLASTIC SLEEVE: 铁氟龙/PTFE
4	公针芯/PIN: 黄铜镀金/BRASS, GOLD PLATED
3	绝缘体/INSULATOR: PA66+GF Black
2	外壳/OUTER SHELL: 黄铜镀铬/BRASS, CHROME PLATED BLACK
1	密封圈/O-RING: 橡胶/RUBBER
序号ITEM	名称 & 规格/Name & DESCRIPTION

SHEET	DIMENSION	TOLERANCES ARE:		TITLE:	
		DECIMALES $x \pm$ $x \pm$	ANGLES $^{\circ} \pm$	6Pin JACK	REV.
1 OF 1	MM	APPROVALS		DATE	PART NO.
DWG NO.	REV.	APPROVED:			WTKTK-15J-6S-CN
B328	A0	CHECKED:			*
		DRAWN: pengsne		07/18/2020	LINGCONN Linconn Elc Tech Co.,LTD