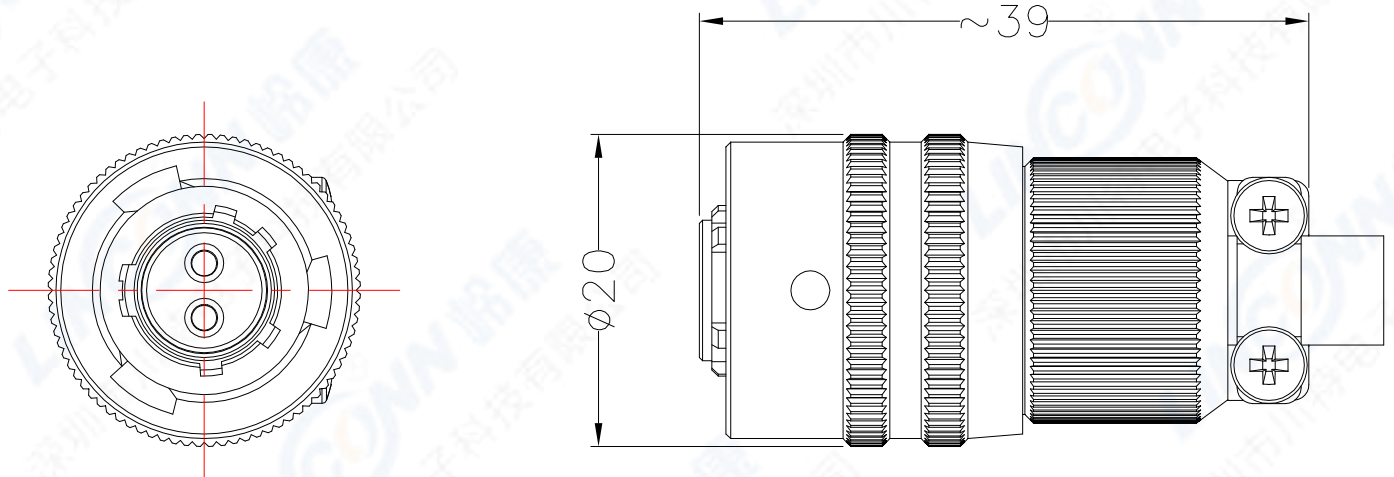


ECN	REV	DESCRIPTION	DATE	APPROVED



技术特性/Technical Characteristics

1. 寿命/Durability: >500 mate/unmate cycles
2. Pin接触电阻/ Pin Contact Resistance: ≤10 mΩ
3. 绝缘电阻/Insulation Resistance: ≥ 100 MΩ
4. 温度等级/Rated Temperature: -25° C, +80° C

4	护套/Bend relief:Rubber		SCALE	TOLERANCES ARE: DECIMALES ANGLES X ± 0.2 .XX ± 0.1	TITLE: 浮动式插头/Free Plug	
3	外壳/Outer Shell: 铝合金阳极黑色/Aluminium alloy, Anodizing back		F		PART NO. Y50X-0802TK2	
2	绝缘体/Insulator: PBT	SHEET	DIMENSION	APPROVALS	DATE	LINCONN Linconn Elc Tech Co.,LTD
1	母针芯/PIN: 磷铜镀金/Phosphor copper, G/F	1 OF 1	MM	APPROVED:		
序号ITEM	名称 & 规格/Name & Description	DWG NO.	REV.	CHECKED:		
		Y50X	A0	CHECKED:		
				DRAWN: S.peng	03/29/2018	