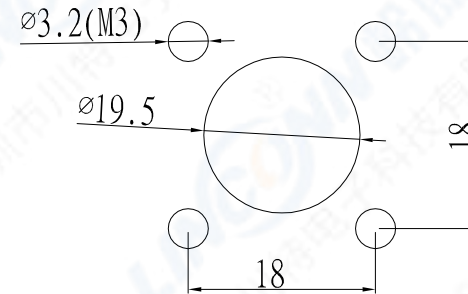


ECN	REV	DESCRIPTION	DATE	APPROVED

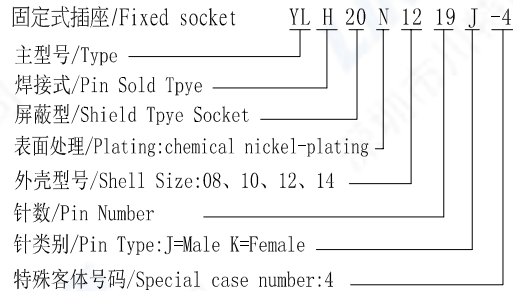
1. 芯数/NO. of contacts

系列/Series	1203a	1207	1208	1210	1219
孔位排列/Pin Number					
导体直径/Pin size	1.59mm	1.02mm	1.02mm	1.02mm	0.8mm
额定电流/Rated current	13A	7.5A	7.5A	7.5A	2A
额定电压/Rated voltage	300V	300V	300V	300V	200V

2. 面板开孔/RECOMMENDED PANEL CUT-OUT

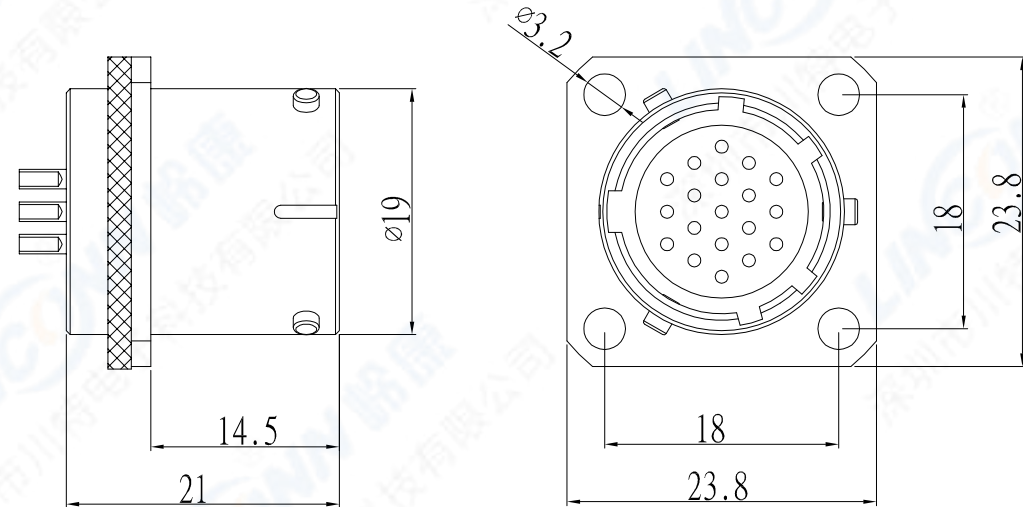


3. 编码原则/Part Number



4. 技术特性/Technical Characteristics

- 寿命/Durability: >500 mate/unmate cycles
- Pin接触电阻/ Pin Contact Resistance: $\leq 10 \text{ m}\Omega$
- 绝缘电阻/Insulation Resistance: $\geq 100 \text{ M}\Omega$
- 温度等级/Rated Temperature: -25°C , $+80^\circ \text{C}$



SCALE		TOLERANCES ARE:		TITLE:	
F		DECIMALES		浮动式插头/Free Plug	
SHEET		ANGLES		PART NO.	
1 OF 1		±		YLH20N1219K-4	
DIMENSION		APPROVALS		REV.	
MM		DATE		*	
DWG NO.		APPROVED:		DRAWN:	
YL		CHECKED:		pengsen	
REV.		CHECKED:		DATE	
A0		DRAWN:		07/24/2020	

LINCONN Linconn Elc Tech Co.,LTD