
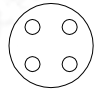
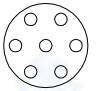
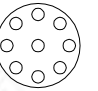
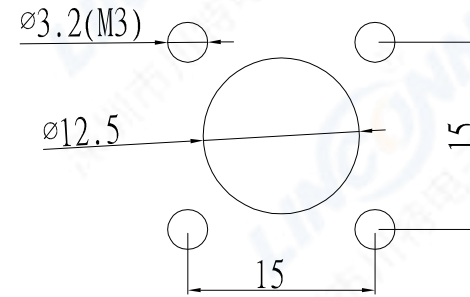


ECN	REV	DESCRIPTION	DATE	APPROVED

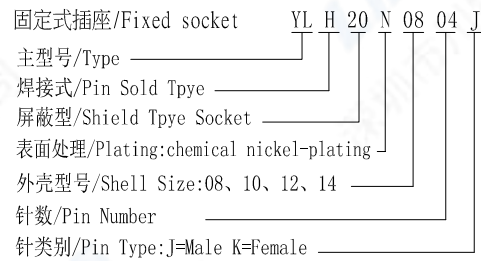
### 1. 芯数/NO. of contacts

系列/Series	0802	0804	0807	0809
孔位排列/Pin Number				
导体直径/Pin size	1.5mm	1.02mm	0.8mm	0.8mm
额定电流/Rated current	13A	7.5A	3A	2A
额定电压/Rated voltage	300V	300V	200V	200V

### 2. 面板开孔/RECOMMENDED PANEL CUT-OUT

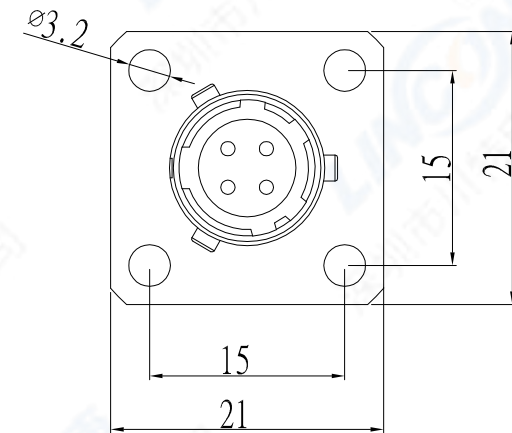
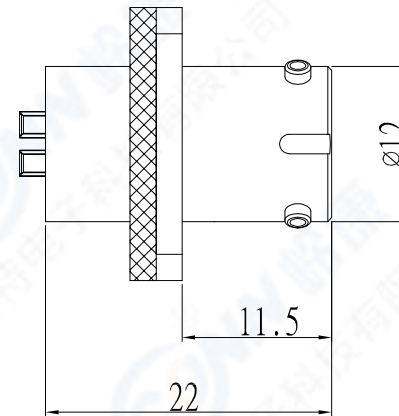


### 3. 编码原则/Part Number



### 4. 技术特性/Technical Characteristics

- 寿命/Durability: >500 mate/unmate cycles
- Pin接触电阻/ Pin Contact Resistance:  $\leq 10 \text{ m}\Omega$
- 绝缘电阻/Insulation Resistance:  $\geq 100 \text{ M}\Omega$
- 温度等级/Rated Temperature:  $-25^\circ \text{C}$ ,  $+80^\circ \text{C}$



SCALE		TOLERANCES ARE:		TITLE:	
F		DECIMALES		浮动式插头/Free Plug	
SHEET		ANGLES		PART NO. YLH20N0804J	
1 OF 1		±		REV. *	
DIMENSION		APPROVALS		DATE	
MM		APPROVED:			
DWG NO. YL		CHECKED:			
REV. A0		DRAWN: pengsen		07/24/2020	
<b>LINCONN</b> Linconn Elc Tech Co.,LTD					