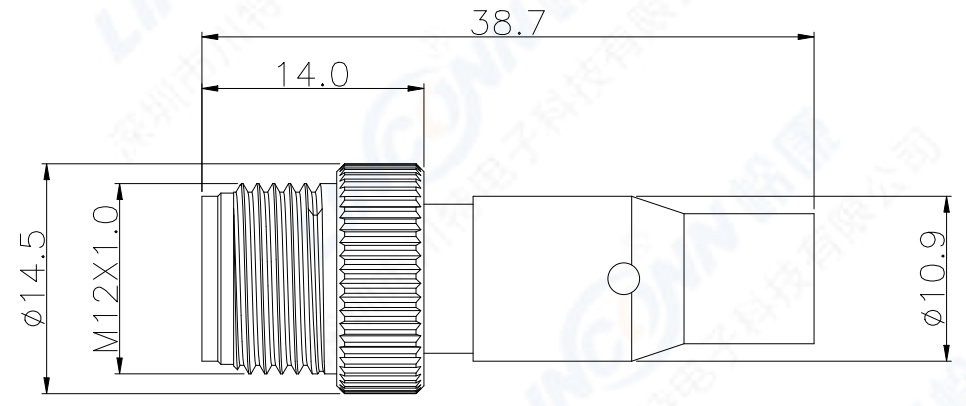
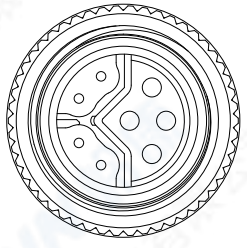
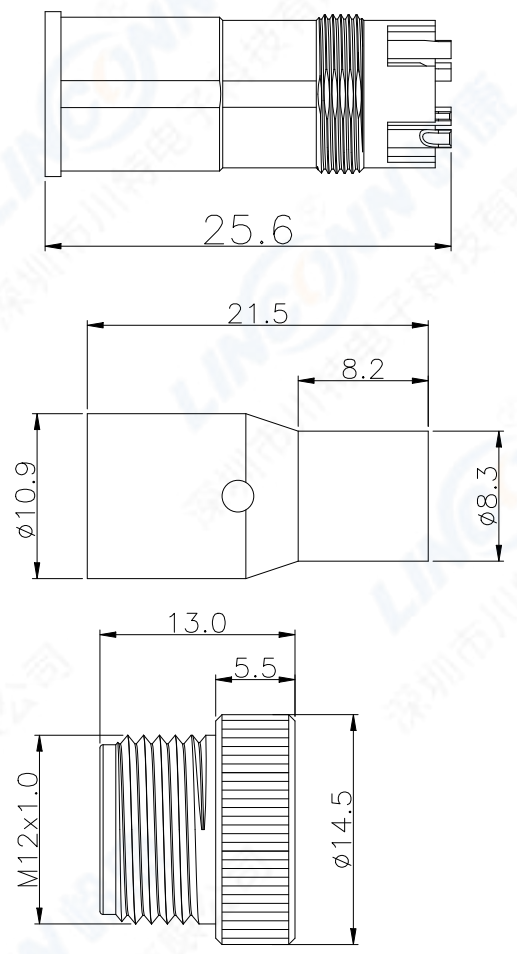


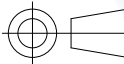
ECN	REV	DESCRIPTION	DATE	APPROVED



技术特性/Technical Characteristics

1. 寿命/Durability: >500 mate/unmate cycles
2. Pin接触电阻/ Pin Contact Resistance: ≤10 mΩ
3. 绝缘电阻/Insulation Resistance: ≥ 100 MΩ
4. 额定电压/Rated voltage a. c. or d. c.: 50V
5. 额定电流(电源针)/Rated current (power contacts): 12A
6. 温度等级/Rated Temperature: -25° C, +80° C
7. 盐雾/Corrosion Resistance: Salt spray test, >48h

5	屏蔽壳/Shield Shell: 铜镀镍/Brass, Nickel plated
4	Y型壳体/Y Shell: 锌合金镀镍/ Zinc Alloy, Nickel plated
3	M12外壳/M12 Shell: 铜镀铬/Brass, Chrome plated
2	绝缘体/Insulator: PA66+GF BLACK
1	公针芯/PIN: 黄铜镀金/Brass ,G/F
序号ITEM	名称 & 规格/Name & Description

	SCALE	TOLERANCES ARE: DECIMALES X±1 X±0.5 ANGLES ±
	F	
SHEET	DIMENSION	APPROVALS
1 OF 1	MM	APPROVED:
DWG NO.	REV.	CHECKED:
M12Y	A0	CHECKED:
		DRAWN: pengsen

TITLE: M12 Y-CODE MALE PLUG	
PART NO. M12YA308MABG1	REV. *
 Linconn Elc Tech Co.,LTD	
DATE	01/09/2023