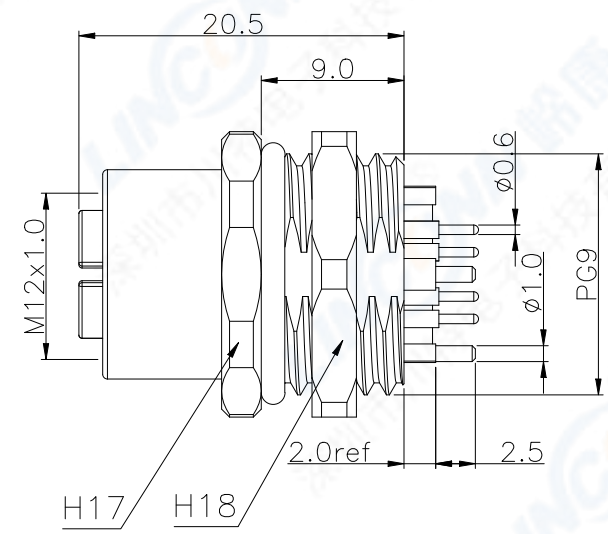
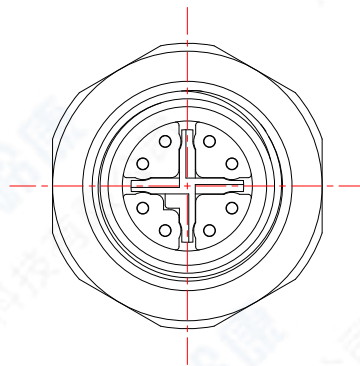
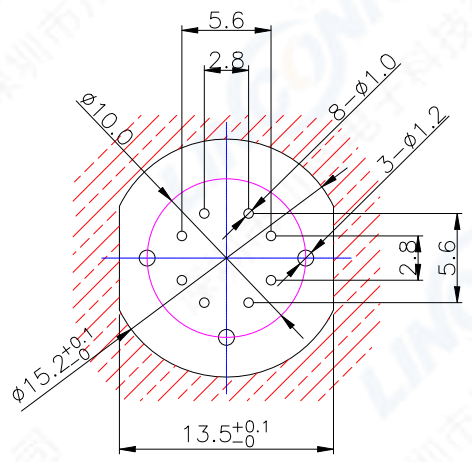


ECN	REV	DESCRIPTION	DATE	APPROVED

PCB LAYOUT & PANEL HOLE SIZE



技术特性/Technical Characteristics

1. 寿命/Durability: >500 mate/unmate cycles
2. Pin接触电阻/ Pin Contact Resistance: ≤10 mΩ
3. 绝缘电阻/Insulation Resistance: ≥ 100 MΩ
4. 额定电压/Rated voltage a. c. or d. c. : 48V
5. 额定电流Rated current: 0.5A
6. 温度等级/Rated Temperature: -25° C, +80° C
7. 盐雾/Corrosion Resistance: Salt spray test, >48h

5	六角螺母/Hexagonal nut: 黄铜镀镍/Brass, Nickel plated
4	密封圈/O-RING: Rubber
3	外壳/Outer Shell: 黄铜镀镍/Brass, Nickel plated
2	绝缘体/Insulator: PA BLACK
1	母针芯/PIN: 磷铜镀金/Phosphor copper, G/F
序号 ITEM	名称 & 规格/Name & Description

	SCALE	TOLERANCES ARE: DECIMALES x ± 1 .x + 0.5	ANGLES ±
	F		
SHEET	DIMENSION	APPROVALS	DATE
1 OF 1	MM	APPROVED:	
DWG NO.	REV.	CHECKED:	
M12E	A0	CHECKED:	
		DRAWN: pengsen	03/24/2021

TITLE: M12 8Pin female socket	
PART NO. M12XE7308FNBG3	REV. *
Linconn Elc Tech Co.,LTD	