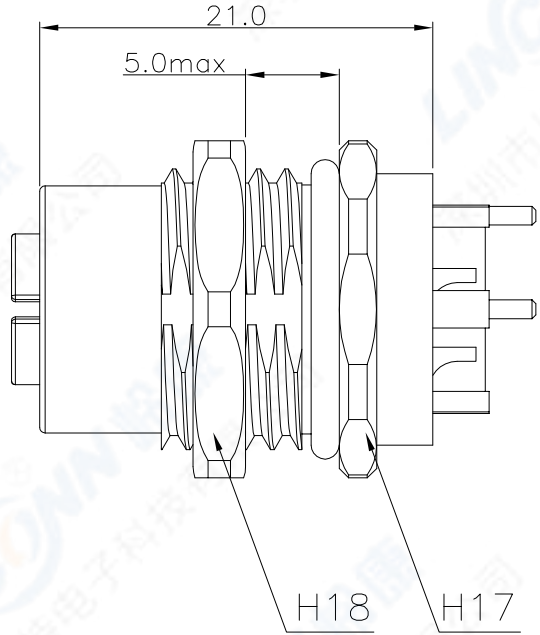
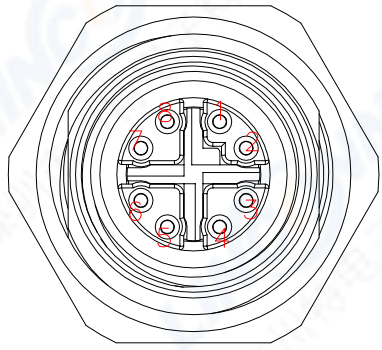
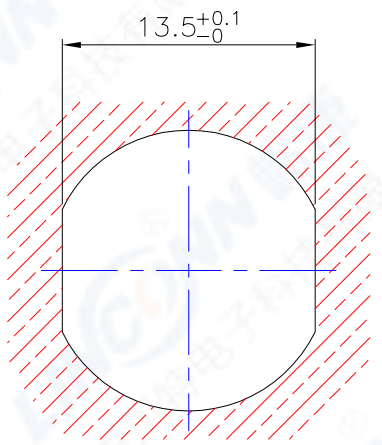


A B C D E F G H I J

ECN	REV	DESCRIPTION	DATE	APPROVED



PANEL HOLE SIZE

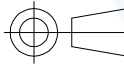


TECHNICAL SPECIFICATION:

- 1.RATING VOLTAGE: 48V,RATING CURRENT: 0.5A
- 2.CONTACT RESISTANT: 10 mOhm MAX
- 3.INSULATION WITHSTAND: 100 MOhm MIN
- 4.PROTECTION: IP67
- 5.TEMPERATURE RANGE: -25°~70°
- 6.TRANSMISSION CHARACTERISTICS: CAT6a
- 7.RECOMMENDED PCB THICKNESS: 2.0MM MAX
- 8.RECOMMENDED SOLDER PROCESS: WAVE SOLDER WITH 260° PEAK TEMP

MATERIALS:

- CONTACT: PHOSPHOR COPPER,GOLD PLATING
- INSULATION: PA
- OUT SHELL: BRASS NICKEL PLATED
- O-RING: NBR
- HEXAGONAL: BRASS NICKEL PLATED
- CROSS SHIELDED: ZINC ALUMINUM ALLOY,NICKEL PLATED

	SCALE	TOLERANCES ARE:		TITLE: M12 X-CODE Fixed socket	
	F	DECIMALES	ANGLES	PART NO. M12XF308FLLG1	
SHEET	DIMENSION	APPROVALS	DATE	REV. *	
1 OF 1	MM	APPROVED:		* M12XF308FLLG1	
DWG NO.	REV.	CHECKED:		LINCINN Linconn Elc Tech Co.,LTD	
M12X	A0	CHECKED:			
		DRAWN: S.peng	03/24/2014		

A B C D E F G H I J