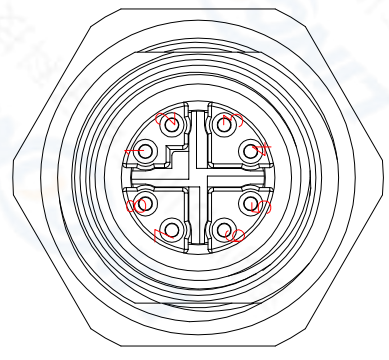
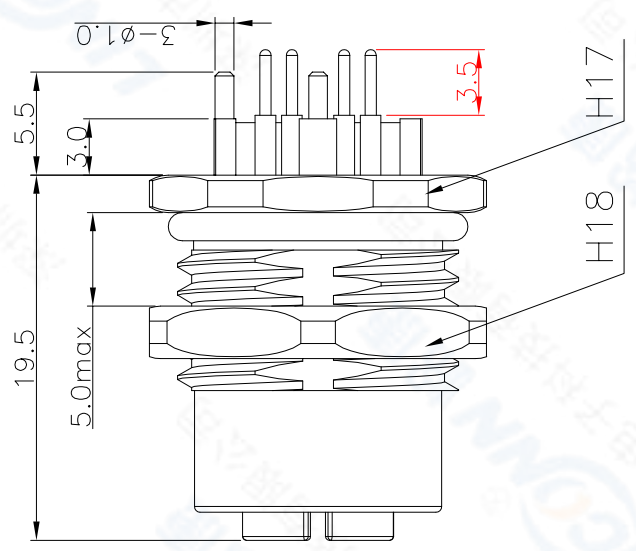
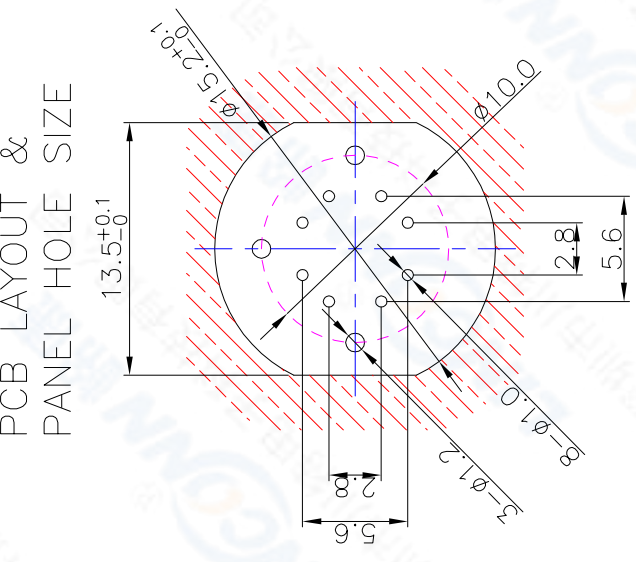


ECN	REV	DESCRIPTION	DATE	APPROVED

PCB LAYOUT &
PANEL HOLE SIZE



- TECHNICAL SPECIFICATION:
- 1.RATING VOLTAGE: 48V,RATING CURRENT: 0.5A
 - 2.CONTACT RESISTANT: 10 mOhm MAX
 - 3.INSULATION WITHSTAND: 100 MOhm MIN
 - 4.PROTECTION: IP67
 - 5.TEMPERATURE RANGE: -25°~70°
 - 6.TRANSMISSION CHARACTERISTICS: CAT6a
 - 7.RECOMMENDED PCB THICKNESS: 2.0MM MAX
 - 8.RECOMMENDED SOLDER PROCESS: WAVE SOLDER WITH 260° PEAK TEMP

- MATERIALS:
- CONTACT: PHOSPHOR COPPER,GOLD PLATING
 - INSULATION: PA
 - OUT SHELL: BRASS NICKEL PLATED
 - O-RING: NBR
 - HEXAGONAL: BRASS NICKEL PLATED
 - CROSS SHIELDED: ZINC ALUMINUM ALLOY,NICKEL PLATED

SHEET 1 OF 1	SCALE F	TOLERANCES ARE:	
		DECIMALES .xx	ANGLES °
DWG NO. M12X	DIMENSION MM	APPROVALS	DATE
REV.	REV.	APPROVED:	
A1	A1	CHECKED:	
		DRAWN: pengsen	25/02/2020
TITLE: M12 X-CODE Fixed socket		PART NO. M12XF308FNBG1	
REV. *			