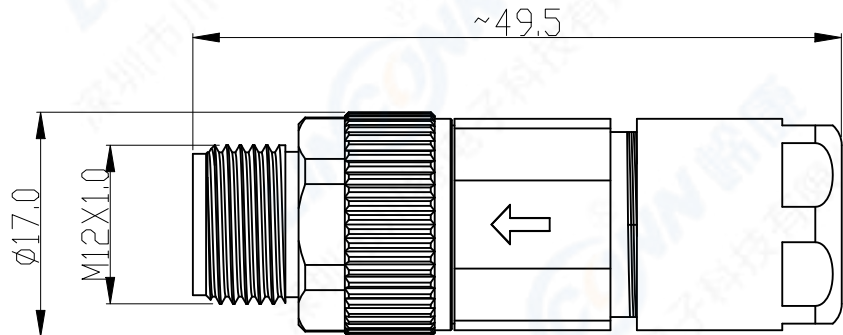
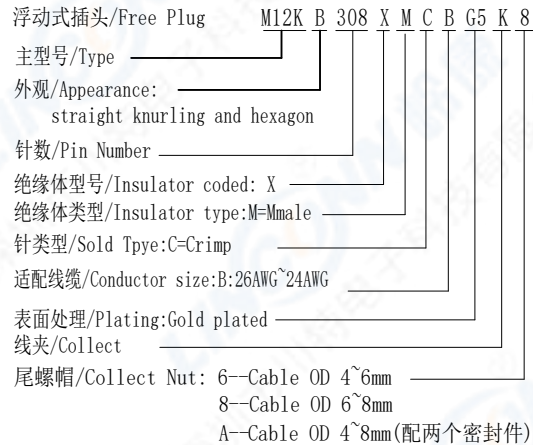


ECN	REV	DESCRIPTION	DATE	APPROVED

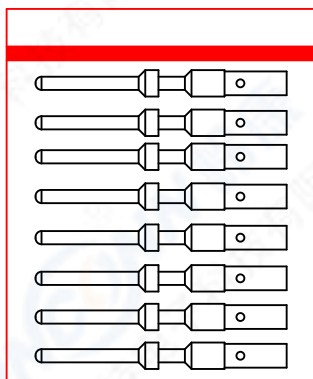
编码原则/Part Number



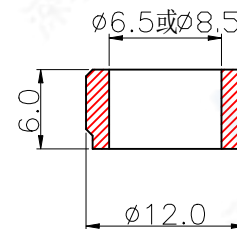
技术特性/Technical Characteristics

1. 寿命/Durability: >100 mate/unmate cycles
2. Pin接触电阻/ Pin Contact Resistance: $\leq 10 \text{ m}\Omega$
3. 绝缘电阻/Insulation Resistance: $\geq 100 \text{ M}\Omega$
4. 额定电压/Rated voltage: 50V
5. 额定电流/Rated current: 0.5A
6. 温度等级/Rated Temperature: $-25^\circ \text{C}, +85^\circ \text{C}$
7. 盐雾/Corrosion Resistance: Salt spray test, >48h
8. 防水等级/Waterproof: IP67

插针/Pin packaging



密封圈/O-RING: 两种尺寸可选



7	尾螺帽/Collect Nut: 黄铜镀镍/Brass,Nickel plated
6	线夹/Collect: 尼龙/Nylon
5	外壳/Outer Shell: 锌合金镀镍/ Zinc Alloy,Nickel plated
4	密封圈/O-RING: Rubber
3	M12 外壳/M12 Outer Shell: 黄铜镀镍/Brass,Nickel plated
2	公针芯/PIN: 黄铜镀金/Brass,Gold plating 0.125um
1	绝缘体/Insulator: Nylon blue
序号ITEM	名称 & 规格/Name & Description

SCALE		TOLERANCES ARE:		ANGLES	
F <td>DECIMALES</td> <td>$x \pm 1.0$</td> <td colspan="2">\pm</td>		DECIMALES	$x \pm 1.0$	\pm	
SHEET		APPROVALS		DATE	
1 OF 1		APPROVED:			
DIMENSION		CHECKED:			
MM		CHECKED:			
DWG NO.		DRAWN:		pengsen	
M12K		REV.		08/28/2023	
A0					

TITLE: M12 X-8Pin male Plug		
PART NO.	M12KB308XMCBG5K8	REV. *
Linconn Elc Tech Co.,LTD		