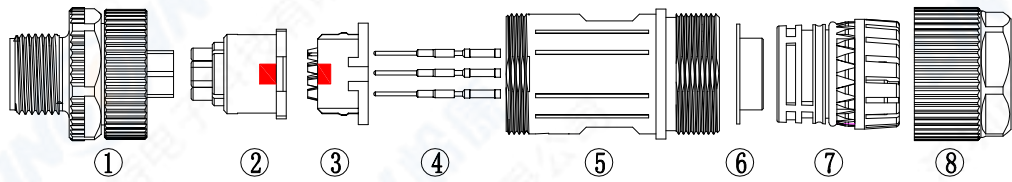
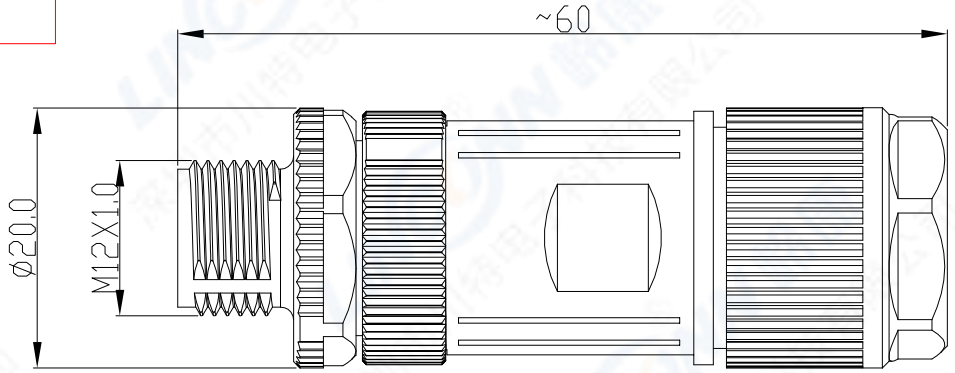
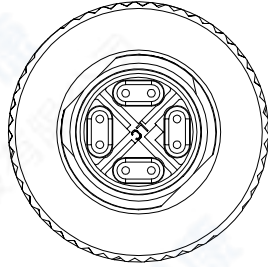


ECN	REV	DESCRIPTION	DATE	APPROVED



### 装配工艺

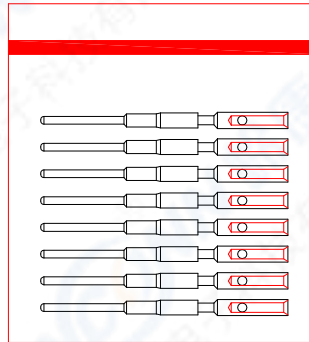
1. 电线剥皮20~25mm
2. 将5、6、7、8按照顺序及正确方位穿入电线
3. 电线导体与4铆接
4. 将接好线的4按照线序要求插入3，并确认线位无误后再推到位（轻微响声）
5. 将1和2按照方向装配在一起
6. 将3和1、2按照红色区域对齐，装配在一起
7. 将编织从6穿出外翻，与7装配在一起
8. 将6、7装入5，8锁紧
9. 将装好的1、2、3、4和5、6、7、8按照方向推入锁紧



### 编码原则/Part Number

浮动式插头/Free Plug	M12K	5	308	X	M	C	B	G1	K	8
主型号/Type										
外观/Appearance:	straight knurling and hexagon									
针数/Pin Number										
绝缘体型号/Insulator coded: X										
绝缘体类型/Insulator type: M=Male										
针类型/Sold Tpye: C=Crimp										
针长度/Pin Length: B=Standard										
表面处理/Plating: Gold Flash										
线夹/Collect										
尾螺帽/Collect Nut: 8—Cable OD 6~8mm										

### 插针/Pin packaging



### 技术特性/Technical Characteristics

1. 寿命/Durability: >500 mate/unmate cycles
2. Pin接触电阻/ Pin Contact Resistance:  $\leq 10 \text{ m}\Omega$
3. 绝缘电阻/Insulation Resistance:  $\geq 100 \text{ M}\Omega$
4. 温度等级/Rated Temperature:  $-25^\circ \text{C}, +80^\circ \text{C}$
5. 盐雾/Corrosion Resistance: Salt spray test, >48h
6. 防水等级/Waterproof: IP67
7. 额定电流/Rated current: 0.5A
8. 额定电压/Rated voltage: 48V
9. 适配线缆/Conductor size: 26~24AWG

9	尾螺帽/Collect Nut: 锌合金镀镍/ Zinc Alloy, Nickel plated
8	线夹/Collect: 尼龙/PA
7	密封圈/Gasket: Rubber
6	外壳/Outer Shell: 锌合金镀镍/ Zinc Alloy, Nickel plated
5	固定座/Screw: 黄铜镀镍/Brass, Nickel plated
4	密封圈/O-RING: Rubber
3	M12 外壳/M12 Outer Shell: 锌合金镀镍/ Zinc Alloy, Nickel plated
2	公针芯/PIN: 黄铜镀金/Brass, G/F
1	绝缘体/Insulator: PA BLACK
序号ITEM	名称 & 规格/Name & Description

	SCALE	TOLERANCES ARE:	
	F	DECIMALES	ANGLES
SHEET	DIMENSION	APPROVALS	DATE
1 OF 1	MM	APPROVED:	
DWG NO.	REV.	CHECKED:	
	A0	CHECKED:	
		DRAWN: pengsen	06/25/2021

TITLE: M12 X coded male Plug	
PART NO. M12K5308XMCBG1K8	REV. *
Linconn Elec Tech Co., LTD	