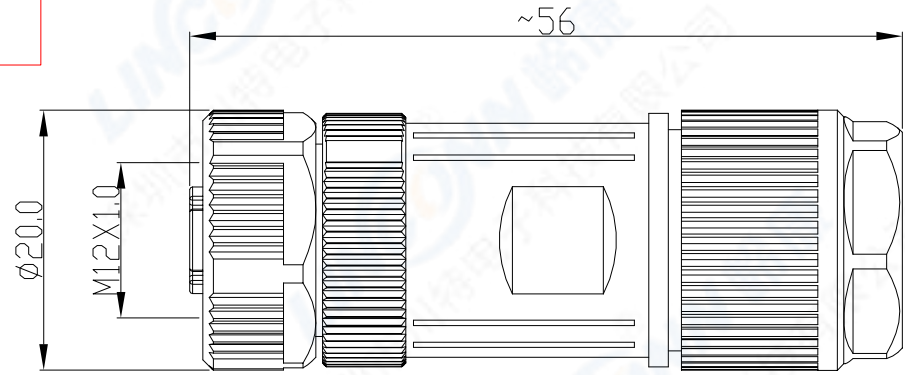
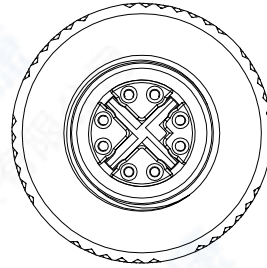


装配工艺

1. 电线剥皮20~25mm
2. 将4、5、6、7、按照顺序及正确方位穿入电线
3. 电线导体与3铆接
4. 将接好线的3按照线序要求插入2，并确认线位无误后再推到位（轻微响声）
5. 将1和2、3按照红色区域对齐，装配在一起
(1和2装好后，再装3也可)
6. 将编织从5穿出外翻，与6装配在一起
7. 将5、6装入4、7锁紧
8. 将装好的1、2、3、和4、5、6、7按照方向推入锁紧



编码原则/Part Number

浮动式插头/Free Plug M12K 5 308 X F C B G1 K 8

主型号/Type _____

外观/Appearance: straight knurling and hexagon

针数/Pin Number _____

绝缘体型号/Insulator coded: X _____

绝缘体类型/Insulator type: F=Female _____

针类型/Sold Type: C=Crimp _____

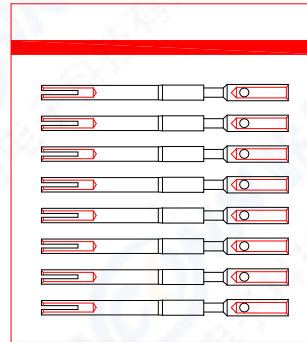
针长度/Pin Length: B=Standard _____

表面处理/Plating: Gold Flash _____

线夹/Collect _____

尾螺帽/Collect Nut: 8—Cable OD 6~8mm _____

插针/Pin packaging



技术特性/Technical Characteristics

1. 寿命/Durability: >500 mate/unmate cycles
2. Pin接触电阻/ Pin Contact Resistance: $\leq 10 \text{ m}\Omega$
3. 绝缘电阻/Insulation Resistance: $\geq 100 \text{ M}\Omega$
4. 温度等级/Rated Temperature: $-25^\circ \text{C}, +80^\circ \text{C}$
5. 盐雾/Corrosion Resistance: Salt spray test, >48h
6. 防水等级/Waterproof: IP67
7. 额定电流/Rated current: 0.5A
8. 额定电压/Rated voltage: 48V
9. 适配线缆/Conductor size: 26~24AWG

9	尾螺帽/Collect Nut: 锌合金镀镍/ Zinc Alloy, Nickel plated
8	线夹/Collect: 尼龙/PA
7	密封圈/Gasket: Rubber
6	外壳/Outer Shell: 锌合金镀镍/ Zinc Alloy, Nickel plated
5	固定座/Screw: 黄铜镀镍/Brass, Nickel plated
4	密封圈/O-RING: Rubber
3	M12 外壳/M12 Outer Shell: 锌合金镀镍/ Zinc Alloy, Nickel plated
2	母针芯/PIN: 铜合金镀金/Brass, G/F
1	绝缘体/Insulator: PA BLACK
序号 ITEM	名称 & 规格/Name & Description

	SCALE	TOLERANCES ARE:	
	F	DECIMALES	ANGLES
SHEET	DIMENSION	APPROVALS	DATE
1 OF 1	MM	APPROVED:	
DWG NO.	REV.	CHECKED:	
	A0	CHECKED:	
		DRAWN: pengsen	06/25/2021

TITLE: M12 X coded female Plug	
PART NO. M12K5308XFCBG1K8	REV. *
Linconn Elec Tech Co., LTD	