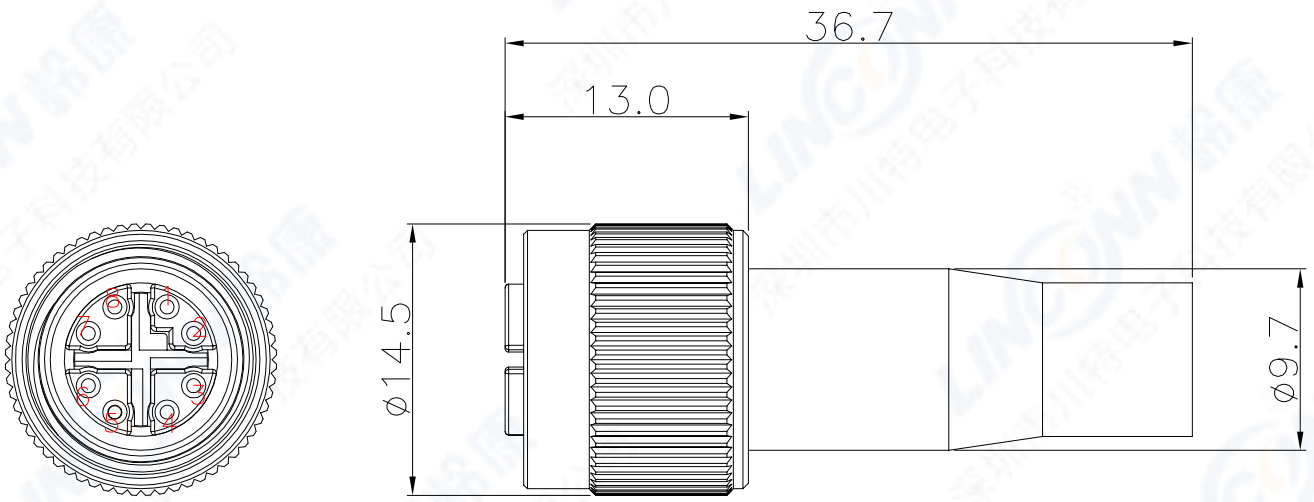


A B C D E F G H I J

ECN	REV	DESCRIPTION	DATE	APPROVED



MATERIALS:  
 CONTACT: PHOSPHOR COPPER,GOLD PLATING  
 INSULATION: PA  
 OUT SHELL: BRASS NICKEL PLATED  
 O-RING: NBR  
 SHIELDING CASE: BRASS NICKEL PLATED  
 CROSS SHIELDED: ZINC ALUMINUM ALLOY,NICKEL PLATED

TECHNICAL SPECIFICATION:  
 1.RATING VOLTAGE: 48V,RATING CURRENT: 0.5A  
 2.CONTACT RESISTANT: 10 mOhm MAX  
 3.INSULATION WITHSTAND: 100 MOHm MIN  
 4.PROTECTION: IP67  
 5.TEMPERATURE RANGE: -25°~70°  
 6.TRANSMISSION CHARACTERISTICS: CAT6a

	SCALE	TOLERANCES ARE:		TITLE: M12 X-CODE FREE PLUG	
	F	DECIMALES	ANGLES	PART NO. M12XA308FLBG1	
SHEET	DIMENSION	APPROVALS	DATE	REV. *	
1 OF 1	MM	APPROVED:			
DWG NO.	REV.	CHECKED:			
M12X	A0	CHECKED:			
		DRAWN: S.peng	03/24/2014	Linconn Elc Tech Co.,LTD	

A B C D E F G H I J