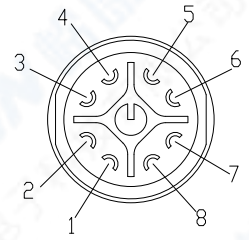
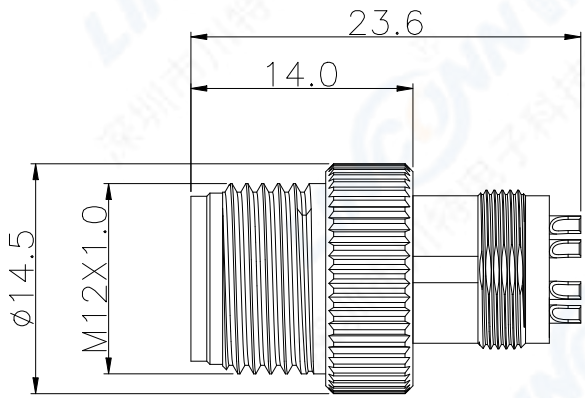
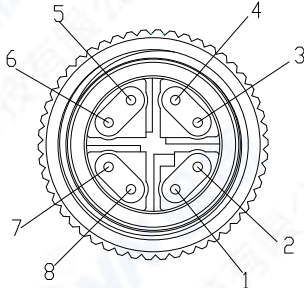
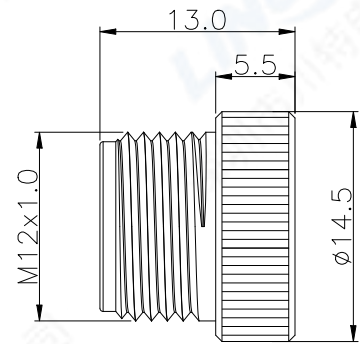
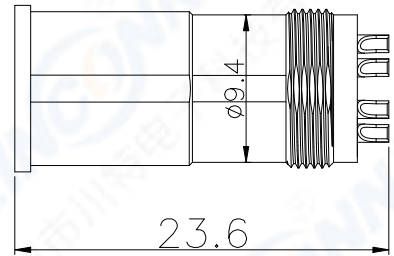


ECN	REV	DESCRIPTION	DATE	APPROVED



焊接面视图/
Solder Side view

TECHNICAL SPECIFICATION:
 1.RATING VOLTAGE: 48V,RATING CURRENT: 0.5A
 2.CONTACT RESISTANT: 10 mOhm MAX
 3.INSULATION WITHSTAND: 100 MOhm MIN
 4.PROTECTION: IP67
 5.TEMPERATURE RANGE: -25°~70°
 6.TRANSMISSION CHARACTERISTICS: CAT6a

MATERIALS:
 CONTACT: BRASS GOLD PLATING
 INSULATION: PA
 OUT SHELL: BRASS CHROME PLATED
 O-RING: NBR
 SHIELDING CASE: BRASS NICKEL PLATED
 CROSS SHIELDED: ZINC ALUMINUM ALLOY,NICKEL PLATED

	SCALE	TOLERANCES ARE:		TITLE: M12 X-CODE FREE PLUG	
	F	DECIMALES x±	ANGLES ±		
SHEET	DIMENSION	APPROVALS		DATE	PART NO.
1 OF 1	MM	APPROVED:			M12XA308MASG3-U
DWG NO.	REV.	CHECKED:			REV. *
M12X	A0	CHECKED:			
		DRAWN:	pengsen	05/10/2023	

