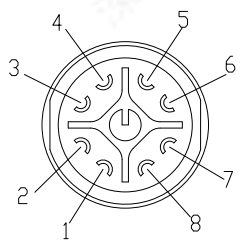
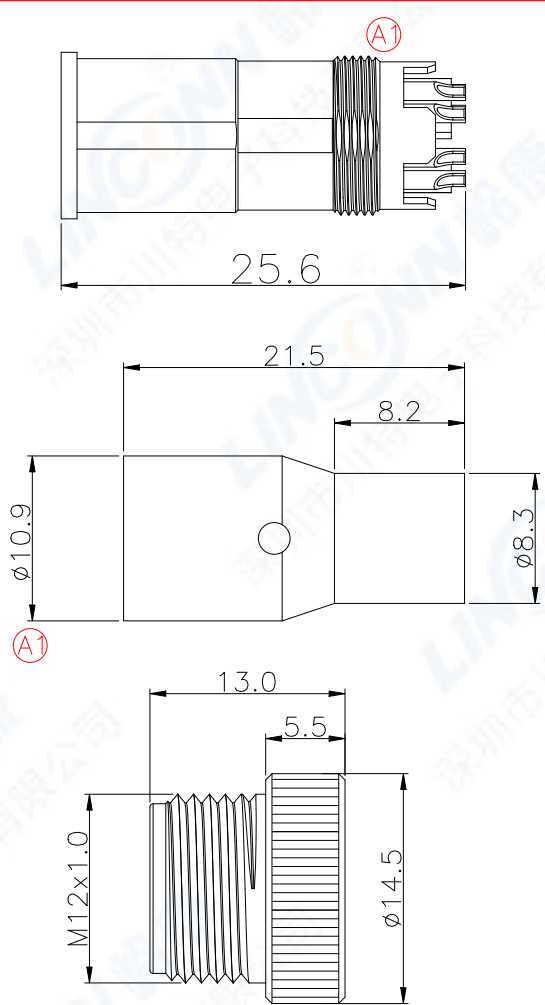
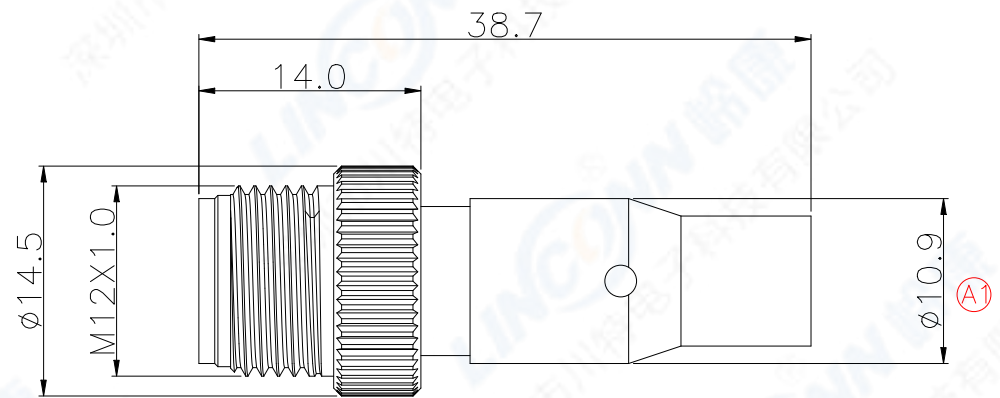
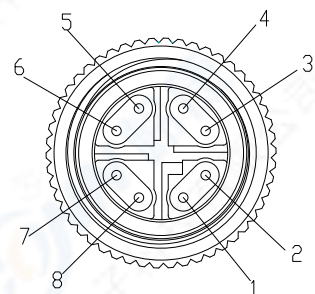


ECN	REV	DESCRIPTION	DATE	APPROVED
2023031601	A1	1.X型壳体增加螺牙; 2.屏蔽壳外径由10.4→10.9	03/16/2023	



焊接面视图/
Solder Side view



MATERIALS:
 CONTACT: BRASS GOLD PLATING
 INSULATION: PA
 OUT SHELL: BRASS CHROME PLATED
 O-RING: NBR
 SHIELDING CASE: BRASS NICKEL PLATED
 CROSS SHIELDED: ZINC ALUMINUM ALLOY,NICKEL PLATED

TECHNICAL SPECIFICATION:
 1.RATING VOLTAGE: 48V,RATING CURRENT: 0.5A
 2.CONTACT RESISTANT: 10 mOhm MAX
 3.INSULATION WITHSTAND: 100 MOhm MIN
 4.PROTECTION: IP67
 5.TEMPERATURE RANGE: $-25^{\circ}\sim 70^{\circ}$
 6.TRANSMISSION CHARACTERISTICS: CAT6a

	SCALE	TOLERANCES ARE:		TITLE: M12 X-CODE FREE PLUG	
	F	DECIMALES $\times \pm$	ANGLES \pm		
SHEET	DIMENSION	APPROVALS		DATE	PART NO.
1 OF 1	MM	APPROVED:			M12XA308MABG1
DWG NO.	REV.	CHECKED:			REV.
M12X	A1	CHECKED:			*
		DRAWN:	pengsen	03/15/2023	

LINCONN Linconn Elc Tech Co.,LTD