

ECN	REV	DESCRIPTION	DATE	APPROVED

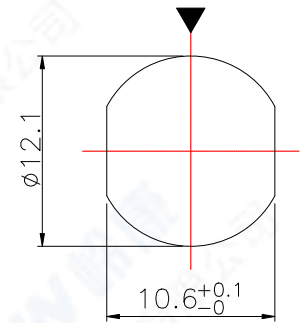
1. 芯数/NO. of contacts

系列/Series	303	304	305	306	308	312	317
Pin 排列/Pin Assignment PCB 孔位/PCB Layout (Front View)							
导体直径/Pin size	1.0mm	1.0mm	1.0mm	0.8mm	0.8mm	0.6mm	0.6mm
额定电压/Rated voltage	250V	250V	60V	30V	30V	30V	30V
额定电流/Rated current	4A	4A	4A	2A	2A	1.0A	1.0A

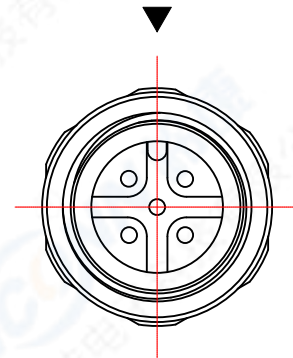
2. 绝缘体型号/Insulator Coded

Coded	A	B	D
型号			

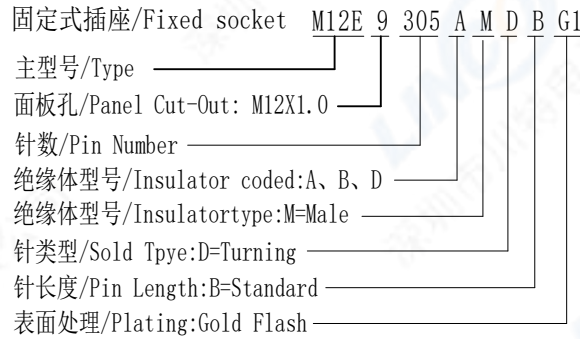
3. 面板开孔/RECOMMENDED PANEL CUT-OUT



“▼” Insulator key

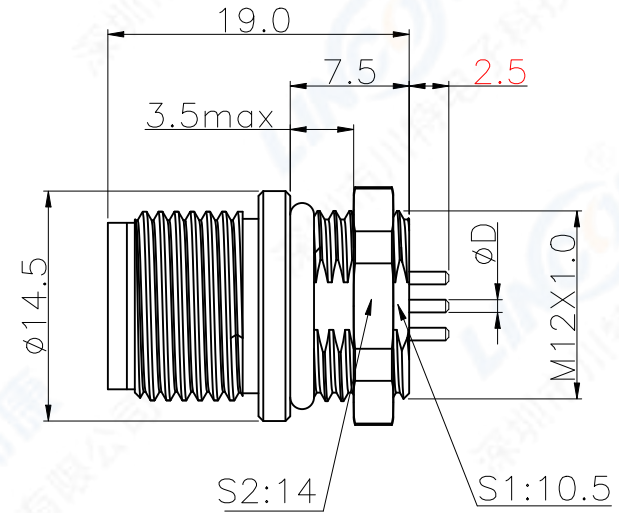


3. 编码原则/Part Number



5. 技术特性/Technical Characteristics

1. 寿命/Durability: >500 mate/unmate cycles
2. Pin接触电阻/ Pin Contact Resistance: ≤10 mΩ
3. 绝缘电阻/Insulation Resistance: ≥ 100 MΩ
4. 温度等级/Rated Temperature: -25° C, +80° C
5. 盐雾/Corrosion Resistance: Salt spray test, >48h
6. 防水等级/Waterproof: IP67



针数 /Pin Number	3/4/5Pin	6Pin	8Pin	12Pin	17Pin
D	0.8	0.6	0.6	0.6	0.6

5	六角螺母/Hexagonal nut: 黄铜镀镍/Brass, Nickel plated
4	密封圈/O-RING: Rubber
3	外壳/Outer Shell: 黄铜镀镍/Brass, Nickel plated
2	绝缘体/Insulator: PA BLACK
1	公针芯/PIN: 黄铜镀金/Brass ,G/F

SHEET	SCALE	TOLERANCES ARE: DECIMALES x ± 0.2 .xx ± 0.1	ANGLES ±	TITLE: M12 front/screw mounting socket	
	F			DATE	PART NO. M12E93***MDBG1
1 OF 1	DIMENSION	APPROVALS	DATE	REV. *	
DWG NO.	REV.	APPROVED:			
M12E	A0	CHECKED:			
		CHECKED:			
		DRAWN: pengsen	03/24/2014		

LINCONN Linconn Elc Tech Co.,LTD