

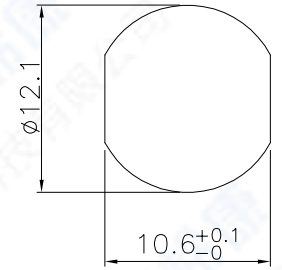
1. 芯数/NO. of contacts

| 系列/Series           | 303   | 304   | 305   | 306   | 308   | 312   | 317   |
|---------------------|-------|-------|-------|-------|-------|-------|-------|
| 孔位排列/Pin Number     |       |       |       |       |       |       |       |
| 适配线缆/Conductor size | 22AWG | 22AWG | 22AWG | 24AWG | 24AWG | 26AWG | 26AWG |
| 导体直径/Pin size       | 1.0mm | 1.0mm | 1.0mm | 0.8mm | 0.8mm | 0.6mm | 0.6mm |
| 额定电流/Rated current  | 4A    | 4A    | 4A    | 2A    | 2A    | 1A    | 1A    |
| 额定电压/Rated voltage  | 250V  | 250V  | 60V   | 30V   | 30V   | 30V   | 30V   |

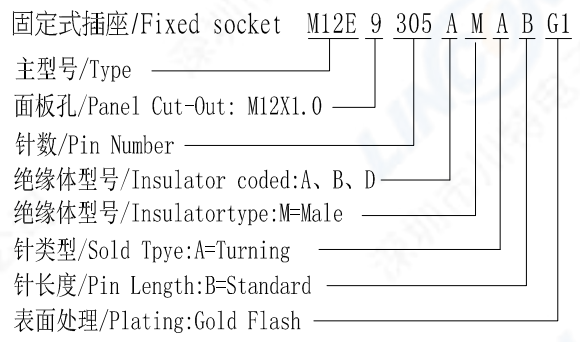
2. 绝缘体型号/Insulator Coded

| Coded | A | B | D |
|-------|---|---|---|
| 型号    |   |   |   |

3. 面板开孔/RECOMMENDED PANEL CUT-OUT

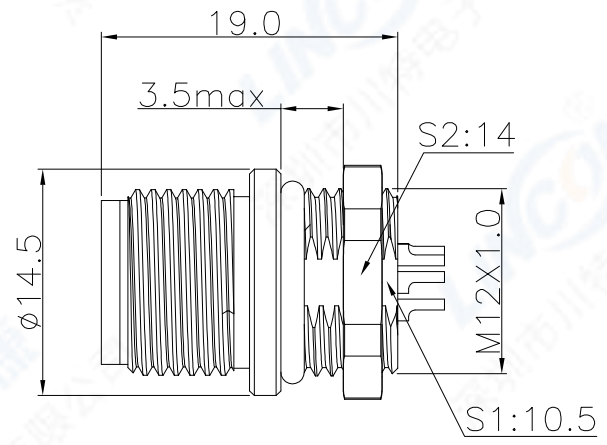
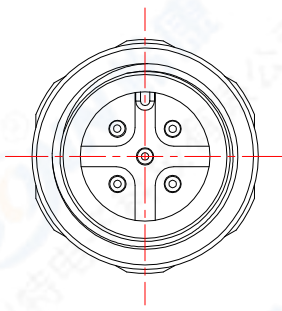


4. 编码原则/Part Number



5. 技术特性/Technical Characteristics

1. 寿命/Durability: >500 mate/unmate cycles
2. Pin接触电阻/ Pin Contact Resistance: ≤10 mΩ
3. 绝缘电阻/Insulation Resistance: ≥ 100 MΩ
4. 温度等级/Rated Temperature: -25° C, +80° C
5. 盐雾/Corrosion Resistance: Salt spray test, >48h
6. 防水等级/Waterproof: IP67



|        |   |
|--------|---|
| 5      | 六角螺母/Hexagonal nut: 黄铜镀镍/Brass, Nickel plated |
| 4      | 密封圈/O-RING: Rubber                            |
| 3      | 外壳/Outer Shell: 黄铜镀镍/Brass, Nickel plated     |
| 2      | 绝缘体/Insulator: PA BLACK                       |
| 1      | 公针芯/PIN: 黄铜镀金/Brass, G/F                      |
| 序号ITEM | 名称 & 规格/Name & Description                    |

|         |           |  |             |
|---------|-----------|--|-------------|
|         | SCALE     | TOLERANCES ARE:<br>DECIMALES<br>X ± 0.2<br>.XX ± 0.1 | ANGLES<br>± |
|         | F         |  |             |
| SHEET   | DIMENSION | APPROVALS  | DATE        |
| 1 OF 1  | MM        | APPROVED:  | CHECKED:    |
| DWG NO. | REV.      | CHECKED:   | DRAWN:      |
| M12E    | A0        | S.peng   | 03/24/2014  |

TITLE: 固定式插座/Fixed socket

PART NO. M12E9305AMABG1

REV. \*

**LINCONN** Linconn Elc Tech Co.,LTD