

1. 芯数/NO. of contacts

系列/Series	303	304	305	306	308	312	317
Pin 排列/Pin Assignment PCB 孔位/PCB Layout (Front View)							
导体直径/Pin size	1.0mm	1.0mm	1.0mm	0.8mm	0.8mm	0.6mm	0.6mm
额定电压/Rated voltage	250V	250V	60V	30V	30V	30V	30V
额定电流/Rated current	4A	4A	4A	2A	2A	1.0A	1.0A

“▶” Insulator key

4. 面板开孔/RECOMMENDED PANEL CUT-OUT

	M12X1.0-PC9	M12X1.0-M16X1.5

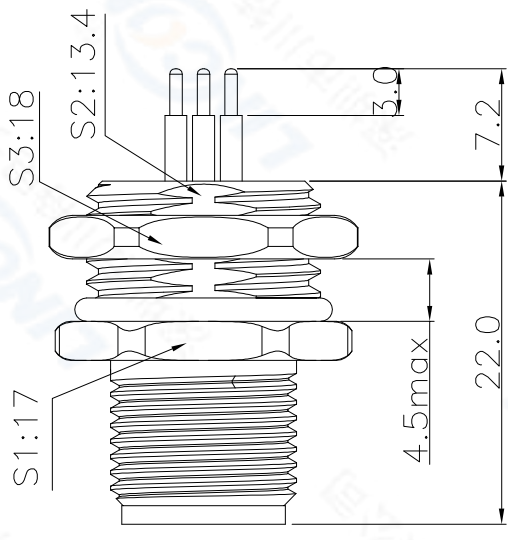
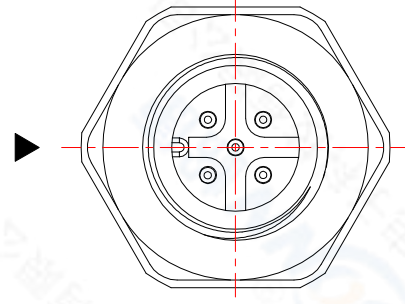
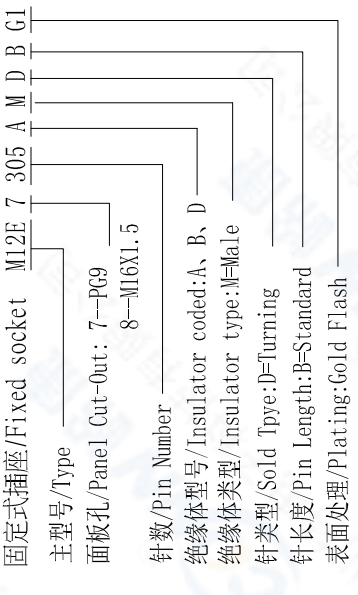
5. 技术特性/Technical Characteristics

1. 寿命/Durability: >500 mate/unmate cycles
2. Pin接触电阻/ Pin Contact Resistance: ≤10 mΩ
3. 绝缘电阻/Insulation Resistance: ≥ 100 MΩ
4. 温度等级/Rated Temperature: -25° C, +80° C
5. 盐雾/Corrosion Resistance: Salt spray test, >48h
6. 防水等级/Waterproof: IP67

2. 绝缘体型号  
Insulator Coded

Coded	
A	
B	
D	

3. 编码原则/Part Number



序号/ITEM	名称 & 规格/Name & Description	SHEET	SCALE	TOLERANCES ARE:		APPROVALS	DATE	REV.
				DECIMALES	ANGLES			
5	六角螺母/Hexagonal nut: 黄铜镀镍/Brass,Nickel plated	1 OF 1	F	X±0.2	±			*
4	密封圈/O-RING: Rubber	DWG NO.	DIMENSION	MM	APPROVED:			
3	外壳/Outer Shell: 黄铜镀镍/Brass,Nickel plated	M12E	REV.	AO	CHECKED:			
2	绝缘体/Insulator: PA BLACK				DRAWN:	S.peng	03/24/2014	
1	公针芯/PIN: 黄铜镀金/Brass ,G/F							
TITLE: 固定式插座/Fixed socket		PART NO. M12E7305AMDBG1						