

1. 芯数/NO. of contacts

系列/Series	303	304	305	306	308	312	317
Pin 排列/Pin Assignment PCB 孔位/PCB Layout (Front View)							
导体直径/Pin size	1.0mm	1.0mm	1.0mm	0.8mm	0.8mm	0.6mm	0.6mm
额定电压/Rated voltage	250V	250V	60V	30V	30V	30V	30V
额定电流/Rated current	4A	4A	4A	2A	2A	1.0A	1.0A

“▶” Insulator key

4. 面板开孔/RECOMMENDED PANEL CUT-OUT

	M12X1.0-PC9	M12X1.0-M16X1.5
	13.5 ^{+0.1} ₋₀	13.5 ^{+0.1} ₋₀

5. 技术特性/Technical Characteristics

- 寿命/Durability: >500 mate/unmate cycles
- Pin接触电阻/ Pin Contact Resistance: $\leq 10 \text{ m}\Omega$
- 绝缘电阻/Insulation Resistance: $\geq 100 \text{ M}\Omega$
- 温度等级/Rated Temperature: -25°C , $+80^\circ \text{C}$
- 盐雾/Corrosion Resistance: Salt spray test, >48h
- 防水等级/Waterproof: IP67

ECN	REV	DESCRIPTION	DATE	APPROVED

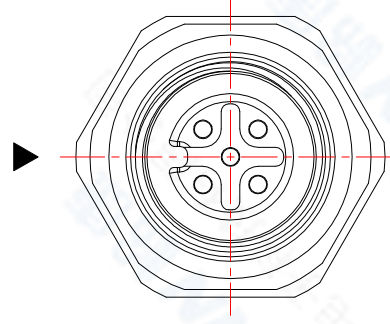
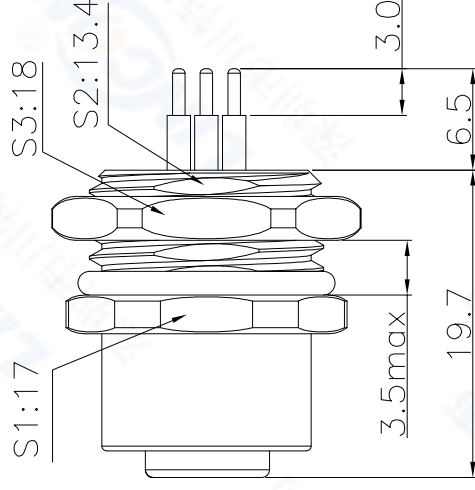
2. 绝缘体型号

Insulator Coded

Coded	Diagram
A	
B	
D	

3. 编码原则/Part Number

固定式插座/Fixed socket M12E 7 305 A F N B G1
 主型号/Type
 面板孔/Panel Cut-Out: 7-PC9
 8-M16X1.5
 针数/Pin Number
 绝缘体型号/Insulator coded:A, B, D
 绝缘体类型/Insulator type:F=Female
 针类型/Sold Type:N=turning
 针长度/Pin Length:B=Standard
 表面处理/Plating:Gold Flash



5	六角螺母/Hexagonal nut: 黄铜镀镍/Brass, Nickel plated
4	母针芯/PIN: 磷铜镀金/Phosphor copper, G/F
3	外壳/Outer Shell: 黄铜镀镍/Brass, Nickel plated
2	密封圈/O-RING: Rubber
1	绝缘体/Insulator: PA BLACK

序号/ITEM 名称 & 规格/Name & Description

TOLERANCES ARE: DECIMALES .X+0.2 XX+0.1	ANGLES ±	TITLE: 固定式插座/Fixed socket
SCALE F	APPROVALS	PART NO. M12E7304FNBG1
DIMENSION MM	APPROVED:	REV. *
REVISION REV.	CHECKED:	
DWG NO. M12E	DRAWN: S.peng	DATE 03/24/2014

LINGCON Linconn Eic Tech Co.,LTD