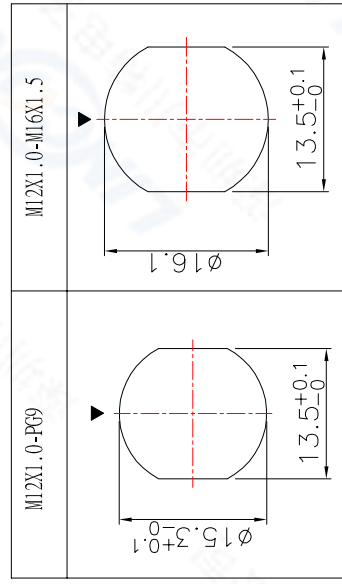


1. 芯数/NO. of contacts

系列/Series	303	304	305	306	308	312	317
孔位排列/Pin Number							
适配线缆/Conductor size	22AWG	22AWG	22AWG	24AWG	24AWG	26AWG	26AWG
导体直径/Pin size	1.0mm	1.0mm	1.0mm	0.8mm	0.8mm	0.6mm	0.6mm
额定电流/Rated current	4A	4A	4A	2A	2A	1A	1A
额定电压/Rated voltage	250V	250V	60V	30V	30V	30V	30V

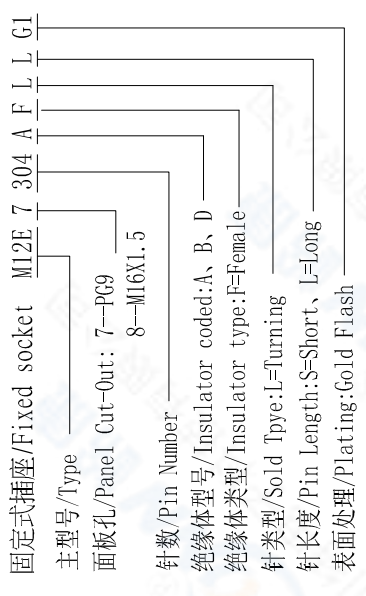
4. 面板开孔/RECOMMENDED PANEL CUT-OUT



5. 技术特性/Technical Characteristics

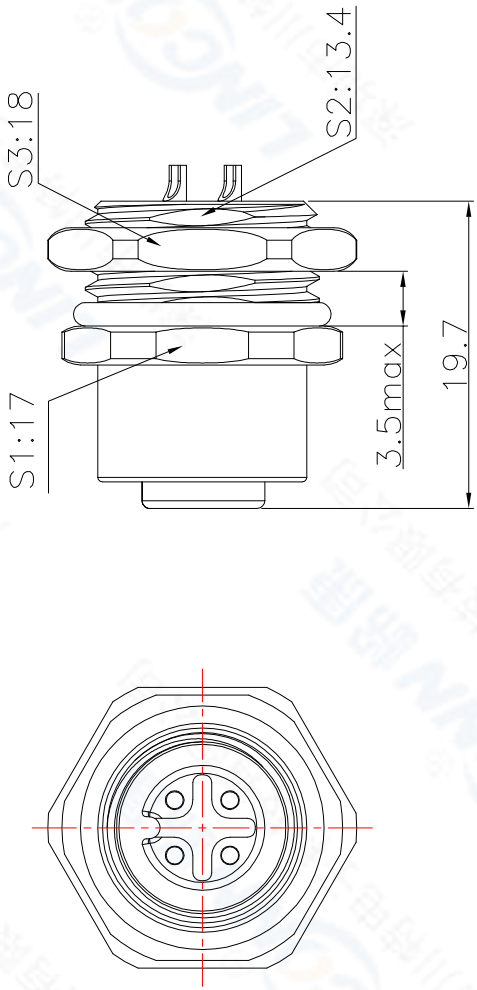
- 寿命/Durability: >500 mate/unmate cycles
- Pin接触电阻/ Pin Contact Resistance: ≤10 mΩ
- 绝缘电阻/Insulation Resistance: ≥ 100 MΩ
- 温度等级/Rated Temperature: -25° C, +80° C
- 盐雾/Corrosion Resistance: Salt spray test, >48h
- 防水等级/Waterproof: IP67

3. 编码原则/Part Number



2. 绝缘体型号/Insulator Coded

Coded	A	B	D
型号			



5	六角螺母/Hexagonal nut: 黄铜镀镍/Brass, Nickel plated	TOLERANCES ARE: DECIMALES .X+0.2 XX+0.1	ANGLES ±	TITLE: 固定式插座/Fixed socket
4	母针芯/PIN: 磷铜镀金/Phosphor copper, G/F	SCALE F	APPROVALS	PART NO. M12E7304FLLG1
3	外壳/Outer Shell: 黄铜镀镍/Brass, Nickel plated	DIMENSION MM	APPROVED:	REV. *
2	密封圈/O-RING: Rubber	SHEET 1 OF 1	CHECKED:	
1	绝缘体/Insulator: PA BLACK	DWG NO. M12E	DRAWN: S.peng	
序号/ITEM	名称 & 规格/Name & Description	REV. A0	DATE 03/24/2014	

