

1. 芯数/NO. of contacts

系列/Series	303	304	305	306	308	312	317
孔位排列/Pin Number							
适配线缆/Conductor size	22AWG	22AWG	22AWG	24AWG	24AWG	26AWG	26AWG
导体直径/Pin size	1.0mm	1.0mm	1.0mm	0.8mm	0.8mm	0.6mm	0.6mm
额定电流/Rated current	4A	4A	4A	2A	2A	1A	1A
额定电压/Rated voltage	250V	250V	60V	30V	30V	30V	30V

4. 面板开孔/RECOMMENDED PANEL CUT-OUT

	M12X1.0-PG9	M12X1.0-M16X1.5

5. 技术特性/Technical Characteristics

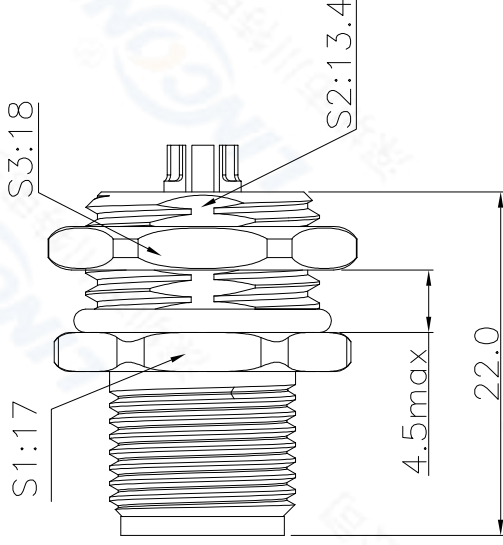
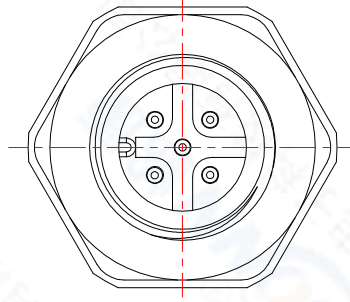
- 寿命/Durability: >500 mate/unmate cycles
- Pin接触电阻/ Pin Contact Resistance: $\leq 10 \text{ m}\Omega$
- 绝缘电阻/Insulation Resistance: $\geq 100 \text{ M}\Omega$
- 温度等级/Rated Temperature: -25°C , $+80^\circ \text{C}$
- 盐雾/Corrosion Resistance: Salt spray test, >48h
- 防水等级/Waterproof: IP67

2. 绝缘体型号/Insulator Coded

Coded	A	B	D
型号			

3. 编码原则/Part Number

固定式插座/Fixed socket M12E 7 305 A M A L G1
 主型号/Type
 面板孔/Panel Cut-Out: 7--PG9
 8--M16X1.5
 针数/Pin Number
 绝缘体型号/Insulator coded:A, B, D
 绝缘体类型/Insulator type:M=Male
 针类型/Sold Type:A=flurning
 针长度/Pin Length:S=Short, L=Long
 表面处理/Plating:Gold Flash



ECN REV DESCRIPTION DATE APPROVED

TOLERANCES ARE:	ANGLES
DECIMALES	\pm
$\times \pm 0.2$	
$\dots \times \pm 0.1$	
SCALE	APPROVALS
F	CHECKED:
DIMENSION	DATE
MM	
REV.	DRAWN:
A0	S.peng
DWG NO.	03/24/2014
M12E	

TITLE:	REV.
固定式插座/Fixed socket	*
PART NO.	
M12E7305AMALG1	

LINGCON Linconn Eic Tech Co.,LTD