

|     |     |             |      |          |
|-----|-----|-------------|------|----------|
| ECN | REV | DESCRIPTION | DATE | APPROVED |
|     |     |             |      |          |

1. 芯数/NO. of contacts

| 系列/Series           | 303   | 304   | 305   | 306   | 308   | 312   |
|---------------------|-------|-------|-------|-------|-------|-------|
| 孔位排列/Pin Number     |       |       |       |       |       |       |
| 适配线缆/Conductor size | 22AWG | 22AWG | 22AWG | 24AWG | 24AWG | 26AWG |
| 导体直径/Pin size       | 1.0mm | 1.0mm | 1.0mm | 0.8mm | 0.8mm | 0.6mm |
| 额定电流/Rated current  | 4A    | 4A    | 4A    | 2A    | 2A    | 1A    |
| 额定电压/Rated voltage  | 250V  | 250V  | 60V   | 30V   | 30V   | 30V   |

2. 绝缘体型号/Insulator Coded

| Coded | A | D |
|-------|---|---|
| 型号    |   |   |

3. 编码原则/Part Number

浮动式插头/Free Plug M12K 5 305 A M C B G1 K 8

主型号/Type \_\_\_\_\_

外观/Appearance: straight knurling and hexagon

针数/Pin Number \_\_\_\_\_

绝缘体型号/Insulator coded: A \_\_\_\_\_

绝缘体类型/Insulator type: M=Male \_\_\_\_\_

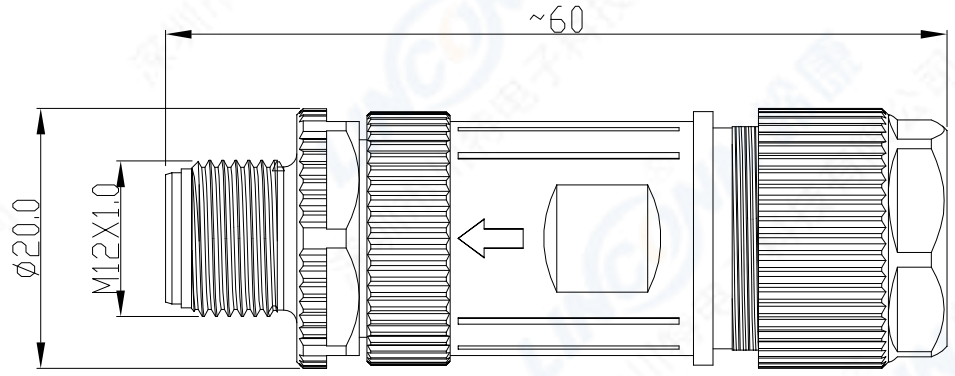
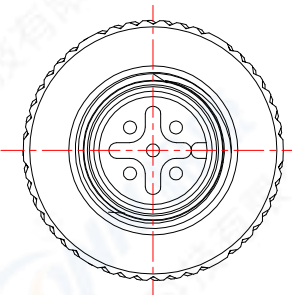
针类型/Sold Type: C=Crimp \_\_\_\_\_

针长度/Pin Length: B=Standard \_\_\_\_\_

表面处理/Plating: Gold Flash \_\_\_\_\_

线夹/Collect \_\_\_\_\_

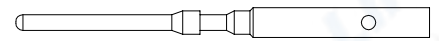
尾螺帽/Collect Nut: 8—Cable OD 6~8.5mm \_\_\_\_\_  
 10—Cable OD 8.6~10.5mm \_\_\_\_\_



技术特性/Technical Characteristics

1. 寿命/Durability: >500 mate/unmate cycles
2. Pin接触电阻/ Pin Contact Resistance: ≤10 mΩ
3. 绝缘电阻/Insulation Resistance: ≥ 100 MΩ
4. 温度等级/Rated Temperature: -25° C, +80° C
5. 盐雾/Corrosion Resistance: Salt spray test, >48h
6. 防水等级/Waterproof: IP67

插针/Pin



|        |  |
|--------|--|
| 9      | 尾螺帽/Collect Nut: 锌合金镀镍/ Zinc Alloy, Nickel plated        |
| 8      | 线夹/Collect: 尼龙/PA  |
| 7      | 密封圈/Gasket: Rubber                                       |
| 6      | 外壳/Outer Shell: 锌合金镀镍/ Zinc Alloy, Nickel plated         |
| 5      | 固定座/Screw: 黄铜镀镍/Brass, Nickel plated                     |
| 4      | 密封圈/O-RING: Rubber                                       |
| 3      | M12 外壳/M12 Outer Shell: 锌合金镀镍/ Zinc Alloy, Nickel plated |
| 2      | 公针芯/PIN: 黄铜镀金/Brass, G/F                                 |
| 1      | 绝缘体/Insulator: PA BLACK                                  |
| 序号ITEM | 名称 & 规格/Name & Description                               |

|         |           |                 |            |
|---------|-----------|-----------------|------------|
| SHEET   | SCALE     | TOLERANCES ARE: |            |
|         | F         | DECIMALES       | ANGLES     |
| 1 OF 1  | DIMENSION | X±              |            |
|         | MM        | ±               |            |
| DWG NO. | REV.      | APPROVALS       | DATE       |
|         | A0        | CHECKED:        |            |
|         |           | CHECKED:        |            |
|         |           | DRAWN: pengsen  | 06/25/2021 |

|                                    |        |
|------------------------------------|--------|
| TITLE: M12 male Plug               |        |
| PART NO. M12K5305AMCBG1K8          | REV. * |
| LINCINN Linconn Elec Tech Co., LTD |        |

由 Autodesk 教育版产品制作

由 Autodesk 教育版产品制作