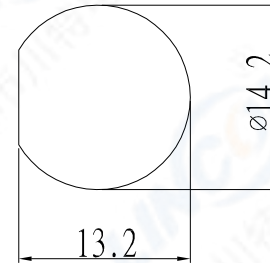


ECN	REV	DESCRIPTION	DATE	APPROVED

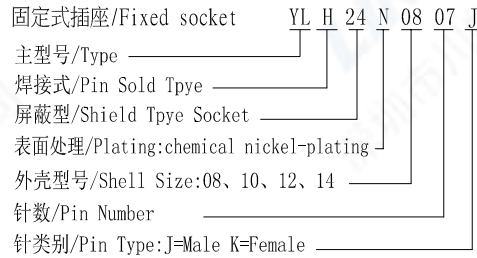
1. 芯数/NO. of contacts

系列/Series	0802	0804	0807	0809
孔位排列/Pin Number				
导体直径/Pin size	1.5mm	1.02mm	0.8mm	0.8mm
额定电流/Rated current	13A	7.5A	3A	2A
额定电压/Rated voltage	300V	300V	200V	200V

2. 面板开孔/RECOMMENDED PANEL CUT-OUT

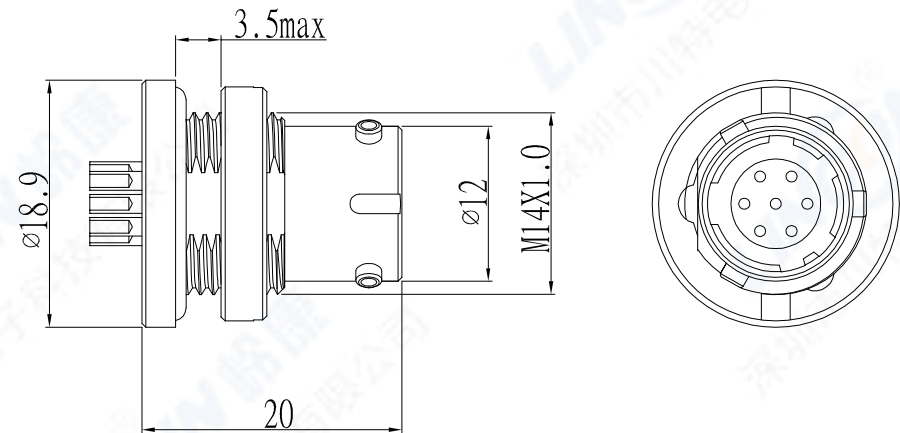


3. 编码原则/Part Number



4. 技术特性/Technical Characteristics

1. 寿命/Durability: >500 mate/unmate cycles
2. Pin接触电阻/ Pin Contact Resistance: ≤10 mΩ
3. 绝缘电阻/Insulation Resistance: ≥ 100 MΩ
4. 温度等级/Rated Temperature: -25° C, +80° C



	SCALE	TOLERANCES ARE: DECIMALES ANGLES X ± 0.2 ± .XX + 0.1		TITLE: 浮动式插头/Free Plug	
	F				
SHEET	DIMENSION	APPROVALS	DATE	PART NO.	REV.
1 OF 1	MM	APPROVED:		YLH24N0807J	*
DWG NO.	REV.	CHECKED:		LINGCONN Linconn Elc Tech Co.,LTD	
YL	A0	CHECKED:			
		DRAWN: pengsen	07/24/2020		