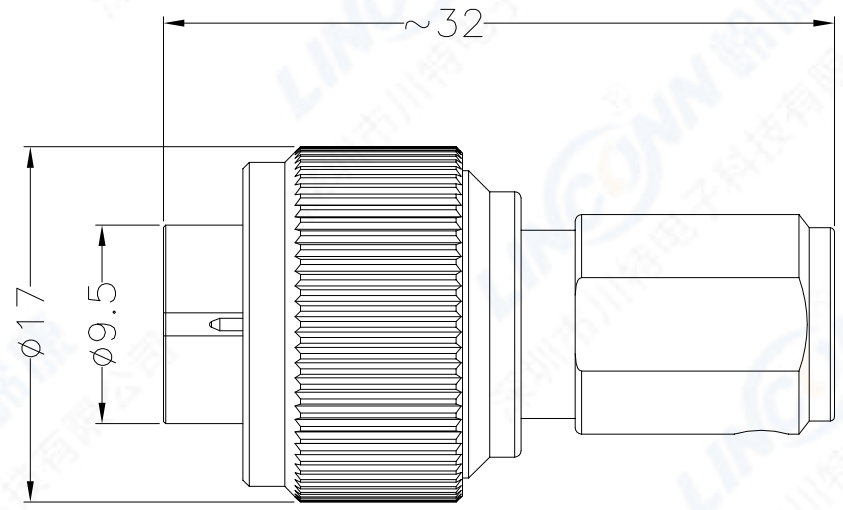
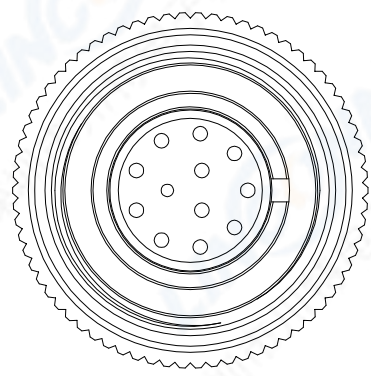


ECN	REV	DESCRIPTION	DATE	APPROVED



7	护套/Bushing: PTU Black
6	线夹/Collet: 黄铜Brass
5	螺丝/Screw: 黄铜镀镍/Brass Nickel Plated
4	公针/Pin : 黄铜镀金/Brass gold plated
3	绝缘体/Insulator: PA66+GF, Black
2	外壳/Body: 黄铜镀镍/Brass Nickel Plated
1	外壳/Shell: 黄铜镀镍/Brass Nickel Plated
ITEM	SPECIFICATION

	SCALE	TOLERANCES ARE:	
	F	DECIMALES	ANGLES
SHEET	DIMENSION	· X ± 0.3	±
1 OF 1	MM	· XX ± 0.15	
DWG NO.	REV.	APPROVALS	DATE
	A0	APPROVED:	
		CHECKED:	
		CHECKED:	
		DRAWN: pengsen	06/01/2020

TITLE: Plug(Solder type)	
PART NO. GL10A-10TP-12P	REV. *
<b>L inconn E lc Tech C o.,L TD</b>	

由 Autodesk 教育版产品制作

由 Autodesk 教育版产品制作