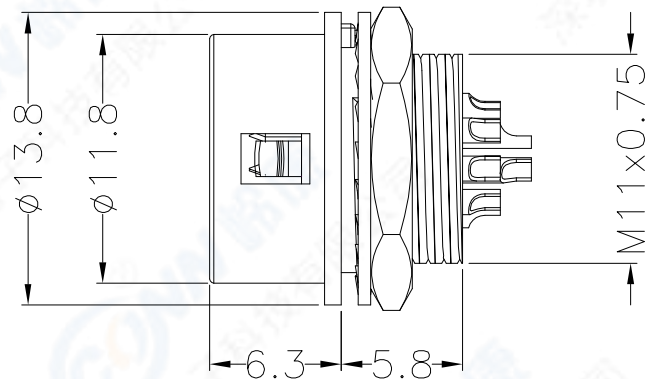
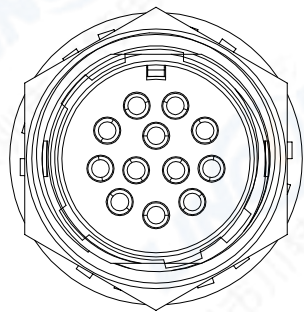
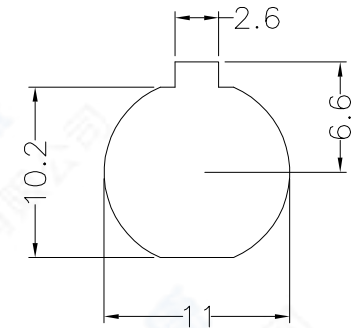


ECN	REV	DESCRIPTION	DATE	APPROVED



Recommended mounting hole

Mounting hole dimension shown here is tight by hexagon nut from back side.



Part number GL10 A -10 R -12 P

Series name _____
 Type A:Low-cost model _____
 Shell size:Plug mating _____
 part outside diameter in mm _____
 Shell type P:Plug J:Jack R:Receptacle _____
 Number of contacts _____
 Type of terminal P:Male terminal S:Female terminal _____

Shell size	10 size	
Contact arrangement		
NO. of pins	10	12

技术特性/Technical Characteristics

1. 寿命/Durability: >500 mate/unmate cycles
2. 额定电流/Current rating: 2A
3. 耐电压/Withstanding voltage:AC300V for a minute
4. 接触电阻/Contact resistance:10mΩ
5. 绝缘电阻/Insulation resistance: 100MΩ
6. 温度等级/Rated Temperature: -20°C, +80°C
7. 盐雾/Corrosion Resistance: Salt spray test>48h

5	公针/Pin :黄铜镀金/Brass gold plated
4	绝缘体/Insulator:PA66+GF, Black
3	垫圈/Locking washer: 不锈钢/Stainless Steel
2	六角螺母/Hexagonal nut: 黄铜镀镍/Brass,Nickel plated
1	外壳/Shell:锌合金镀镍/Zinc alloy Nickel Plated

	SCALE	TOLERANCES ARE:	
	F	DECIMALES ANGLES	
SHEET	DIMENSION	APPROVALS	DATE
1 OF 1	MM	APPROVED:	
DWG NO.	REV.	CHECKED:	
	A0	CHECKED:	
		DRAWN: pengsen	10/23/2021

TITLE: Receptacle(Solder type)	
PART NO. GL10A-10R-12P	REV. *
L inconn E lc Tech C o.,L TD	

ITEM	SPECIFICATION
------	---------------

由 Autodesk 教育版产品制作

由 Autodesk 教育版产品制作