

A	B	C	D	E	F	G	H	I	J	
						ECN	REV	DESCRIPTION	DATE	APPROVED

Part number GL25-9TR-20PA

Model:Indicates the HR25 Series

Shell size:Indicates the outer diameter of the engaging portion of the Plug

Classification of lock mechanism:Indicated as described below

T:Screw lock system No symbol:Push-pull lock system

Classification of shell P:Plug J:Jack R:Receptacle

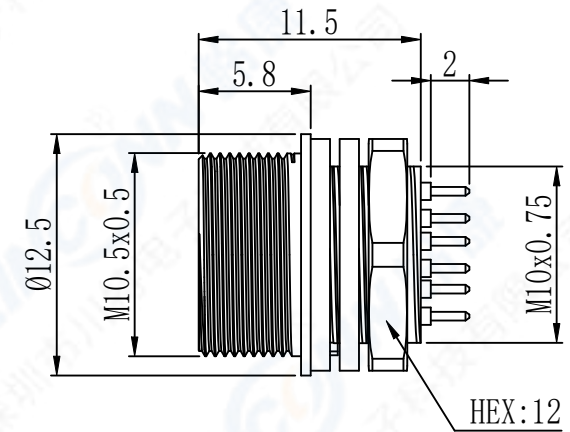
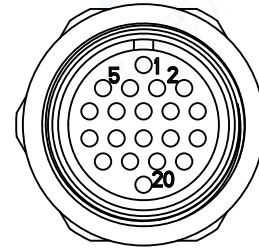
Number of contacts

Form of contacts:As described below

P:Male contacts S:Female contacts

Type of contacts:The wiring system used or the type of contacts are classified in alphabetical order:

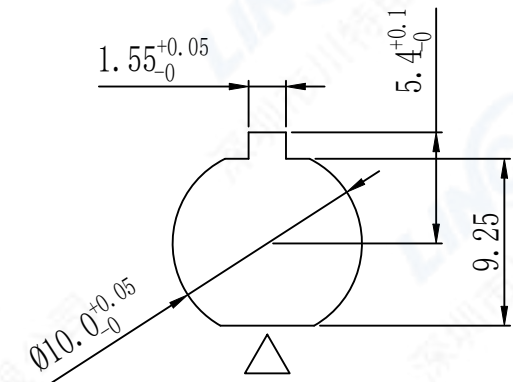
Example None:Solder termination  
C:Crimp-style contacts  
A:PCB dip termination



Shell size	9 size		
Contact arrangement			
NO. of pins	12	16	20
Withstand voltage	100V AC for 1minute		
Current capacity	1A		
Contact resistance	30mΩ		

Recommended mounting hole

Mounting hole dimension shown here is tight by hexagon nut from back side.



5	公针/Pin :黄铜镀金/Brass gold plated
4	绝缘体/Insulator:PA66+GF, Black
3	垫圈/Locking washer: 不锈钢/Stainless Steel
2	六角螺母/Hexagonal nut: 黄铜镀镍/Brass, Nickel plated
1	外壳/Shell:锌合金镀镍/Zinc alloy Nickel Plated
ITEM	SPECIFICATION

	SCALE	TOLERANCES ARE: DECIMALES ANGLES · X± 0.3 · XX± 0.15		TITLE: Receptacle(PCB type)	
	F				
SHEET	DIMENSION	APPROVALS	DATE	PART NO.	REV.
1 OF 1	MM	APPROVED:		GL25-9TR-**PA	*
DWG NO.	REV.	CHECKED:			
GL25	A0	CHECKED:			
		DRAWN:	pengsen	08/12/2022	

**LINCONN** Linconn Elc Tech Co.,LTD