

ECN	REV	DESCRIPTION	DATE	APPROVED

Part number GL25- 9 T J -12 P

Model:Indicates the HR25 Series

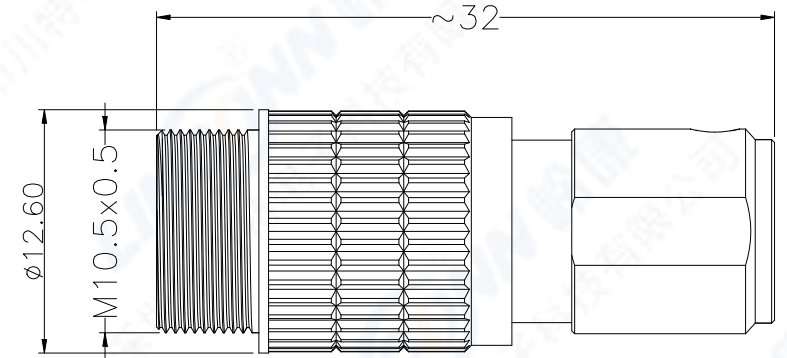
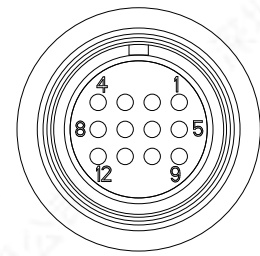
Shell size:Indicates the outer diameter of the engaging portion of the Plug

Classification of lock mechanism:Indicated as described below  
T:Screw lock system No symbol:Push-pull lock system

Classification of shell P:Plug J:Jack R:Receptacle

Number of contacts

Form of contacts:As described below  
P:Male contacts S:Female contacts



Shell size	9 size		
Contact arrangement			
NO. of pins	12	16	20
Withstand voltage	100V AC for 1minute		
Current capacity	1A		
Contact resistance	30mΩ		

7	护套/Bushing: PTE Black
6	线夹/Collet:黄铜Brass
5	螺丝/Screw:碳钢发黑/Steel black
4	公针/Pin :黄铜镀金/Brass gold plated
3	绝缘体/Insulator:PA66+GF, Black
2	外壳/Body:黄铜镀镍/Brass Nickel Plated
1	外壳/Socket Shell:锌合金镀镍/Zinc alloy Nickel Plated
ITEM	SPECIFICATION

	SCALE
	F
SHEET	DIMENSION
1 OF 1	MM
DWG NO.	REV.
GL25	A0

附件/Accessories

护套/Bushing

线夹/Collet

螺丝/Screw

TOLERANCES ARE: DECIMALES .xx± ANGLES ±		TITLE: Plug(Solder type)	
APPROVALS	DATE	PART NO. GL25-9TJ-xxP	REV. *
CHECKED:		<b>Linconn Elc Tech Co.,LTD</b>	
CHECKED:			
DRAWN: pengsen	08/12/2022		