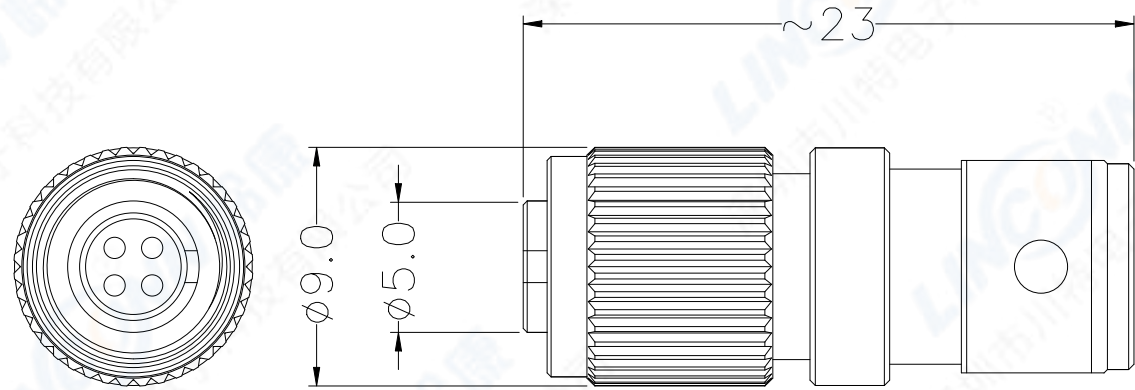
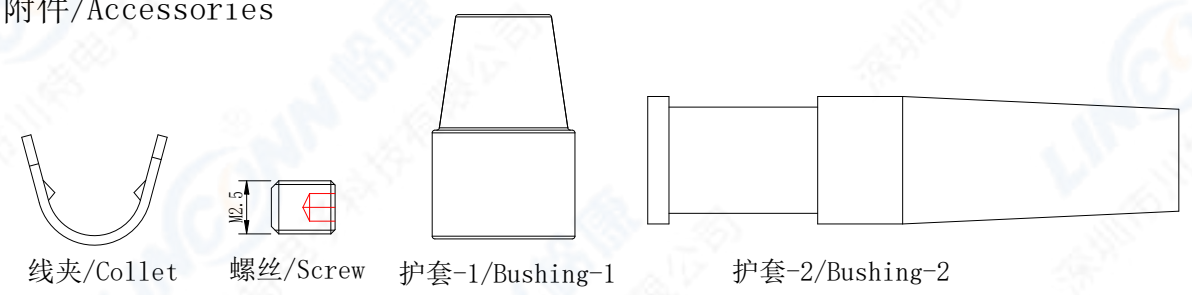


ECN	REV	DESCRIPTION	DATE	APPROVED



附件/Accessories



8	护套/Bushing: PTE Black
7	线夹/Collet: 黄铜/Brass
6	螺丝/Screw: 碳钢发黑/Steel black
5	公针/Pin : 黄铜镀金/Brass gold plated
4	绝缘体/Insulator: PA66+GF, Black
3	插头/Plug shell : 黄铜镀镍/Brass Nickel Plated
2	外壳/Body: 黄铜镀镍/Brass Nickel Plated
1	螺纹外壳/Nut shell: 黄铜镀镍/Brass Nickel Plated
ITEM	SPECIFICATION

	SCALE	TOLERANCES ARE:		TITLE: Plug(Solder type)
	F	DECIMALES	ANGLES	
SHEET	DIMENSION	$X \pm 1$ $\cdot X \pm 0.5$		PART NO. GL90-5TP-4P-E
1 OF 1	MM	APPROVALS	DATE	REV. *
DWG NO. GL90	REV. A0	APPROVED:		Linconn Elc Tech Co.,LTD
		CHECKED:		
		CHECKED:		
		DRAWN: pengsen	05/02/2023	